

Type code (abstract)

SK sensor capacitive, w/o amplifier
 SKF sensor cap., w/o amplifier, flexible
 SK1 sensor capacitive, self-contained
 SV(D) sensor amplifier (dynamic)
 SNG sensor power pack

HT### high temperature use
 TM pulse modulation technique (High noise immune)

/ FS(A) max sensing distance / Fill-level switch (adaptive)

M30 model and/or dimension

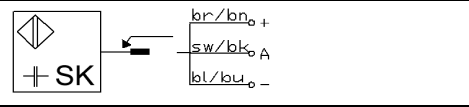
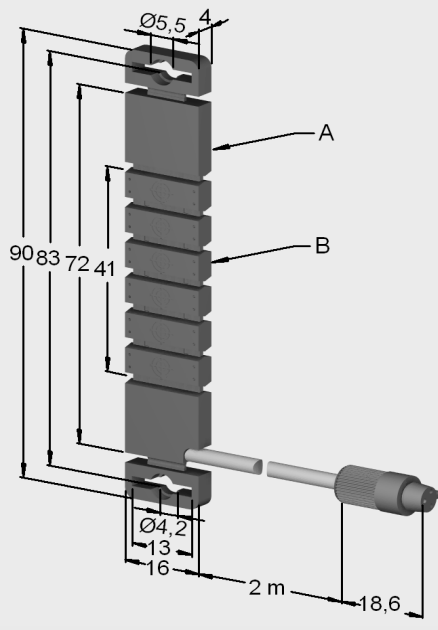
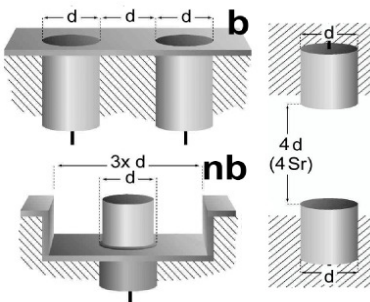
P output stage PNP, NPN, 2-wire AC/DC, X (switchable)

b mounting b=flush nb=non-flush

S S=N.O. Ö=N.C. X=function switchable

(c)PTFE Housing material, e.g. PTFE cPTFE=complete PTFE

1m2-Y2 cable & connector:
 Y# = connector
 1m2 = 1.2m cable length



Typ / Type	Nr./No.
SKF-10-90/16/4-b-PC/PU	02003

The highly flexible adhesive sensor SKF series is equally suitable for part detection from a distance and for fill level detection through the container wall. Because of its flexible design, the sensor can also be formed into a ring shape for actual use.

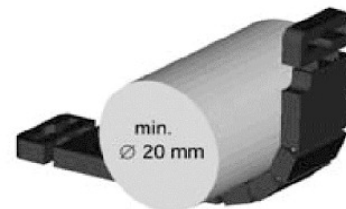
Mounting options:

1. Adhering
 For this option, every sensor is supplied with double-sided adhesive tape. We recommend first positioning the adhesive tape at the point where you want it on the object and then affixing the sensor.

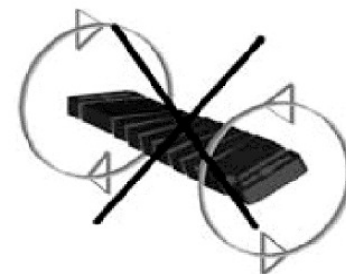
2. Velcro fastening
 The two tabs provided on the sides enable the sensor to be velcro-fastened.

3. Screwing in place
 The tabs provided on the sides enable the sensor to be fixed in place by means of a M3 screw.

N.B.!
 If the sensor is used in circular shape, the diameter involved must not be less than 20 mm.



Torsional stresses in the sensor's longitudinal direction are impermissible and may cause damage.



Please note:

mounting [flush / nonflush]	[b / nb]	b
operating distance	Sd [mm]	0... 10
Hysteresis	H [%Sr]	15
frequency of operating cycles	f [Hz]	100
repeat accuracy	R [%Sr]	2
Operating temperature range	[°C]	0...+60
temperature drift [range]	[%Sr] [°C]	20 [0...+60]
protection class (EN 60529)		IP 60
rated insulation voltage	Ui [V]	75 d. c.
material of housing		A: PC; B: PUR
utilisation category		
connection		2m / 3x 0,14mm ² / PUR - ZA
supply voltage range UB	UB [V]	4...8
no-load supply current	Io [mA]	
minimum operational current	Im [mA]	
operational current	Ie [mA]	
off-state current	Ir [mA]	
voltage drop [50mA/ Ie]	Ud [V]	
time delay before availability	tv [ms]	
Indicator [UB / Output]		
Short circuit- overload-protection		
Reverse polarity Protection		
Conformity	EMC EEC-direct.	IEC 60947-5-2 : 2000
EMC		IEC 61000-4-6 (Testlevel 3V) Functional errors in partition of working frequency possible.
associated equipment		SV-; SVD-; SNG-...-K; SNG-...K-T SL-YA-m20
additional functionality		
Application		