

SD1 Series

General Purpose AC Variable Speed Inverter Drives



1 Phase 110/120V 50/60Hz **0.4~1.1kW** (0.5~1.4HP)

1 Phase 200/240V 50/60Hz **0.4~2.2kW** (0.5~3HP)

NEW 1 Phase 230V 50/60Hz **0.2~3.7kW** (0.27~5.5HP) 1 Phase Output

3 Phase 200/240V 50/60Hz **0.4~7.5kW** (0.5~10HP)

3 Phase 380/440V 50/60Hz **0.75~110kW** (1~150HP)

- IP20
- Torque Vector Control
- STO (safe torque off)
- Up to 150% Starting Torque
- Front Mounted RJ45 Socket (<2.2kW)
- Din Rail Mountable (<2.2kW)
- Fixed Keypad with Potentiometer (<2.2kW)
- Detachable Keypad (≥4kW)
- HDI Input (pulse)
- 2 Analogue Inputs
- 1/2 Analogue Outputs
- 2 Output Relays (>2.2kW)
- Transistor Output
- 4/5 Digital Inputs
- PNP/NPN Selectable
- In Built Modbus RTU / RS485
- PID Control as standard
- Internal DC Reactor (≥18.5kW)
- DC Injection Braking
- Internal Brake Chopper (≤37kW)
- Motor Auto-tune (static & dynamic)
- Internal C3 Filter (≥4kW), C3 Filter Option (<2.2kW)
- C1 & C2 Filter Options (entire range)
- Safety Circuit (SIL2/SIL3 - model dependant)
- CE, RoHS & Reach Compliant
- TUV Approved
- UL / cUL Approval on selected models
- 2 Year Warranty



Options & Ordering Codes

SD1 - 2.5A - 11	
Output Power kW (HP)	
0.4kW (0.5HP)	2.5A
0.75kW (1HP)	4.2A
1.1kW (1.4HP)	5.8A
Input 110-120V Single Phase Output 230VAC Three Phase	

SD1 - 2.5A - 21	
Output Power kW (HP)	
0.4kW (0.5HP)	2.5A
0.75kW (1HP)	4.2A
1.5kW (2HP)	7.5A
2.2kW (3HP)	10A
Input 200-240V Single Phase	

NEW SD1 - 4.2A - 21 - 1			
Output Power kW (HP)*			
0.2kW (0.27HP)	4.2A		
0.4kW (0.5HP)	7.2A		
0.75kW (1HP)	10.2A		
1.5kW (2HP)	14A		
2.2kW (3HP)	25A		
3.7kW (5.5HP)	35A		
Input 230V Single Phase		Output 230V Single Phase	

SD1 - 2.5A - 23	
Output Power kW (HP)	
0.4kW (0.5HP)	2.5A
0.75kW (1HP)	4.2A
1.5kW (2HP)	7.5A
2.2kW (3HP)	10A
4kW (5.5HP)	16A
5.5kW (7.5HP)	20A
7.5kW (10HP)	30A
Input 200-240V Three Phase	

SD1 - 2.5A - 43	
Output Power kW (HP)	
0.75kW (1HP)	2.5A
1.5kW (2HP)	4.2A
2.2kW (3HP)	5.5A
4kW (5.5HP)	9.5A
5.5kW (7.5HP)	14A
7.5kW (10HP)	18.5A
11kW (15HP)	25A
15kW (20HP)	32A
18.5kW (25HP)	38A
22kW (30HP)	45A
30kW (40HP)	60A
37kW (50HP)	75A
45kW (60HP)	92A
55kW (75HP)	115A
75kW (100HP)	150A
90kW (125HP)	180A
110kW (150HP)	215A
Input 380-400V Three Phase	

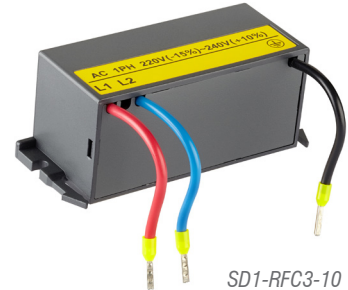
* Please see p.3 for recommended max. motor ratings.

SD1 Series

General Purpose AC Variable Speed Inverter Drives

Options & Ordering Codes - Filters & Accessories

	Model	C3 Filter	Current	C2 Filter	Current
Single Phase 110V	SD1-2.5A-11	SD1-RFC3-10	10A	SD1-RFC2-10	10A
	SD1-4.2A-11	SD1-RFC3-10	10A	SD1-RFC2-25	25A
	SD1-5.8A-11	SD1-RFC3-10	10A	SD1-RFC2-25	25A
Single Phase 220V	SD1-2.5A-21	SD1-RFC3-10	10A	SD1-RFC2-10	10A
	SD1-4.2A-21	SD1-RFC3-10	10A	SD1-RFC2-10	10A
	SD1-7.5A-21	SD1-RFC3-10	10A	SD1-RFC2-16	16A
	SD1-10A-21	SD1-RFC3-10	10A	SD1-RFC2-16	16A



NEW

Single Phase Input Single Phase Output 230V	SD1-4.2A-21-1	SD1-RFC3-10	10A	SD1-RFC2-10	10A
	SD1-7.2A-21-1	SD1-RFC3-10	10A	SD1-RFC2-10	10A
	SD1-10.2A-21-1	SD1-RFC3-10	10A	SD1-RFC2-25	25A
	SD1-14A-21-1	SD1-RFC3-10	10A	SD1-RFC2-25	25A
	SD1-25A-21-1	Internal	-	SD1-RFC2-45	45A
	SD1-35A-21-1	Internal	-	SD1-RFC2-65	65A

Three Phase 220V	SD1-2.5A-23	SD1-RFC3-7	7A	SD1-RFC2-6	6A
	SD1-4.2A-23	SD1-RFC3-7	7A	SD1-RFC2-6	6A
	SD1-7.5A-23	Internal	-	SD1-RFC2-16	16A
	SD1-10A-23	Internal	-	SD1-RFC2-16	16A
	SD1-16A-23	Internal	-	SD1-RFC2-32	32A
	SD1-20A-23	Internal	-	SD1-RFC2-32	32A
	SD1-30A-23	Internal	-	SD1-RFC2-45	45A



Three Phase 380V	SD1-2.5A-43	SD1-RFC3-7	7A	SD1-RFC2-6	6A
	SD1-4.2A-43	SD1-RFC3-7	7A	SD1-RFC2-6	6A
	SD1-5.5A-43	SD1-RFC3-7	7A	SD1-RFC2-6	6A
	SD1-9.5A-43	Internal	-	SD1-RFC2-16	16A
	SD1-14A-43	Internal	-	SD1-RFC2-16	16A
	SD1-18.5A-43	Internal	-	SD1-RFC2-32	32A
	SD1-25A-43	Internal	-	SD1-RFC2-32	32A
	SD1-32A-43	Internal	-	SD1-RFC2-45	45A
	SD1-38A-43	Internal	-	SD1-RFC2-45	45A
	SD1-45A-43	Internal	-	SD1-RFC2-65	65A
	SD1-60A-43	Internal	-	SD1-RFC2-65	65A
	SD1-75A-43	Internal	-	SD1-RFC2-100	100A
	SD1-92A-43	Internal	-	SD1-RF52-100	100A
	SD1-115A-43	Internal	-	SD1-RFC2-150	150A
	SD1-150A-43	Internal	-	SD1-RFC2-150	150A
	SD1-180A-43	Internal	-	SD1-RFC2-240	240A
SD1-215A-43	Internal	-	SD1-RFC2-240	240A	

Model	Description
SD1-KP	Remote Keypad
SD1-KP-CPY	Remote Keypad with Copy Function
SD1-KP-MB	Remote Keypad Mounting Bracket



SD1 Series

General Purpose AC Variable Speed Inverter Drives



Technical Specifications

Function Description		Specification
Power Input	Input Voltage (V)	AC 1PH 110V (-15%) to 120V (+10%) AC 1PH 200V (-15%) to 240V (+10%) AC 1PH 200V (-15%) to 240V (+10%) 1PH Output AC 3PH 200V (-15%) to 240V (+10%) AC 3PH 380V (-15%) to 460V (+10%)
	Input Current (A)	Refer to the rated value
	Input Frequency (Hz)	50Hz/60Hz, allowable range: 47 to 63Hz
Power Output	Output Voltage (V)	0 to Input voltage (SD1-XXA-11 - AC 3ph 230VAC)
	Output Current (A)	Refer to the rated value
	Output Power (kW)	Refer to the rated value
	Output Frequency (Hz)	0 to 400Hz
Technical Control Performance	Control Mode	SVPWM control, SVC
	Motor Type	Asynchronous motor, Permanent magnet motor (optional)
	Speed Regulation Ratio	Asynchronous motor 1:100 (SVC)
	Speed Control Precision	±0.2% (SVC)
	Speed Fluctuation	±0.3% (SVC)
	Torque Response	<20ms (SVC)
	Torque Control Precision	10% (SVC)
	Starting Torque	0.5Hz / 150% (SVC)
Running Control Performance	Overload Capacity	150% of rated current: 1 minute; 180% of rated current: 10 seconds; 200% of rated current: 1 second
	Frequency Setup Mode	Digital, analog, pulse frequency, multi-step speed running, simple PLC, PID, Modbus communication. Shift between the set combination and set channel
	Auto-Adjustment of the Voltage	Automatic voltage regulation. Compensates for supply voltage transients
	Fault Protection Function	Provides comprehensive fault protection functions: Overcurrent; Overvoltage; Undervoltage; Overheating; Phase Loss; Overload etc.
Peripheral Interface	Speed Tracking Restart	Provides smooth ramping during start up
	Analog Input	1 (AI2) 0-10V / 0-20mA and 1 (AI3) -10V to +10V
	Analog Output	2 (AO1, AO2) 0-10V / 0-20mA
	Digital Input	4 standard inputs (max. frequency: 1kHz) 1 high speed input (max. frequency: 50kHz)
	Digital Output	1 Y1 terminal output
Other	Relay Output	2 programmable relay outputs RO1A NO, RO1B NC, RO1C common terminal RO2A NO, RO2B NC, RO2C common terminal Contact capacity: 3A/250VAC
	Mounting Method	Wall & DIN rail mounting
	Ambient Operating Temperature	-10°C to +50°C (derating 1% for every additional 1°C when above 40°C)
	DC Reactor	Standard internal DC reactor for inverters (≥18.5kW)
	Installation Mode	Wall and rail installation of inverters (1PH/200V,3PH/380V, ≤2.2kW and 3PH/200V, ≤0.75kW) Wall and flange installation of inverters (3PH/380V, ≥4kW and 3PH/200V, ≥1.5kW)
	Braking Unit	Standard for inverters ≤37kW, optional for inverters of 45 to 110kW
	Protection Level	IP20 Note: Plastic cased inverter should be installed in a metal distribution cabinet, which conforms to IP20 (top surface conforms to IP3X)
	Cooling	Fan cooling
	Braking Unit	Built-in
	EMC Filter	Internal C3 filters for inverters 3PH/380V, ≥4kW and 3PH/200V, ≥1.5kW. Optional external filters to meet the requirement of IEC61800-3 C2, IEC61800-3 C3 For drives >4kW, if internal C3 filter is required, fit supplied jumper link to EMC/J10 observing all safety precautions
	Safety	All SD1 inverters comply to safety standards and are marked accordingly. STO function to SIL level 2/3

SD1 Series

General Purpose AC Variable Speed Inverter Drives



Technical Datasheet

Technical Specifications

Single Phase 110V Input, Three Phase Output 230V							
Model	Output Power		Input Current (A)	Output Current (A)	MCCB (A)	Cables (mm ²)	UL Approval
SD1-2.5A-11	0.4kW	0.5HP	8.1	2.5	20	4.0	YES
SD1-4.2A-11	0.75kW	1.0HP	15.1	4.2	20	4.0	YES
SD1-5.8A-11	1.1kW	1.4HP	20.0	5.8	30	4.0	YES

Single Phase 230V Input, Three Phase Output 230V							
Model	Output Power		Input Current (A)	Output Current (A)	MCCB (A)	Cables (mm ²)	UL Approval
SD1-2.5A-21	0.4kW	0.5HP	6.5	2.5	10.0	1.5	YES
SD1-4.2A-21	0.75kW	1.0HP	9.3	4.2	16.0	1.5	YES
SD1-7.5A-21	1.5kW	2.0HP	15.7	7.5	25.0	2.5	YES
SD1-10A-21	2.2kW	3.0HP	24.0	10.0	40.0	2.5	YES

Three Phase 230V Input, Three Phase Output 230V							
Model	Output Power		Input Current (A)	Output Current (A)	MCCB (A)	Cables (mm ²)	UL Approval
SD1-2.5A-23	0.4kW	0.5HP	3.7	2.5	6.0	1.5	YES
SD1-4.2A-23	0.75kW	1.0HP	5.0	4.2	10.0	1.5	YES
SD1-7.5A-23	1.5kW	2.0HP	7.7	7.5	16.0	2.5	YES
SD1-10A-23	2.2kW	3.0HP	11.0	10.0	25.0	2.5	YES
SD1-16A-23	4kW	5.5HP	17.0	16.0	32.0	2.5	-
SD1-20A-23	5.5kW	7.5HP	21.0	20.0	32.0	4	-
SD1-30A-23	7.5kW	10HP	31.0	30.0	63.0	6	-

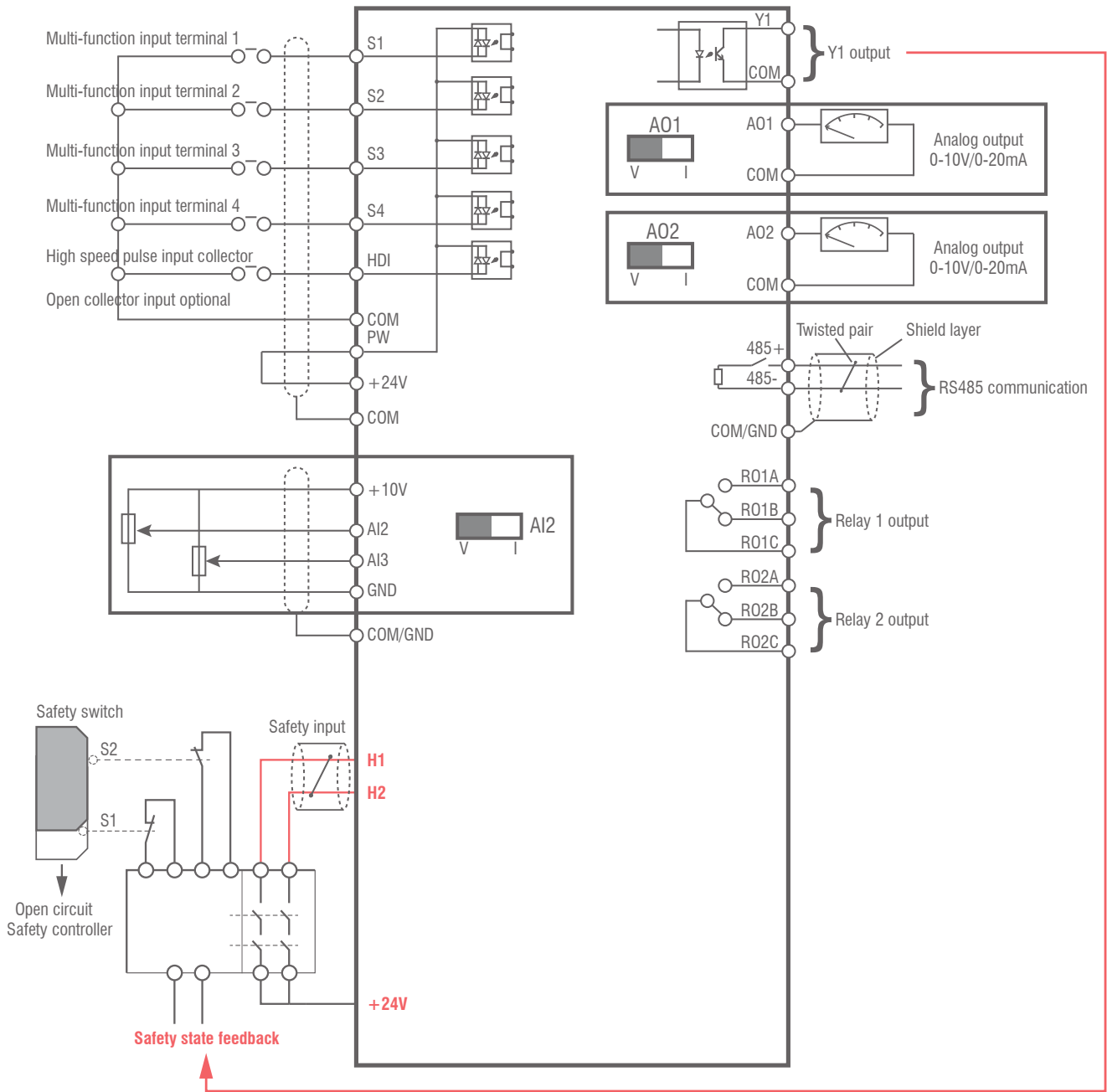
Three Phase 380V Input, Three Phase Output 380V							
Model	Output Power		Input Current (A)	Output Current (A)	MCCB (A)	Cables (mm ²)	UL Approval
SD1-2.5A-43	0.75kW	1.0HP	3.4	2.5	6.0	1.5	YES
SD1-4.2A-43	1.5kW	2.0HP	5.0	4.2	10.0	1.5	YES
SD1-5.5A-43	2.2kW	3.0HP	5.8	5.5	10.0	1.5	YES
SD1-9.5A-43	4kW	5.5HP	13.5	9.5	25.0	2.5	YES
SD1-14A-43	5.5kW	7.5HP	19.5	14.0	32.0	2.5	YES
SD1-18.5A-43	7.5kW	10HP	25.0	18.5	40.0	4	YES
SD1-25A-43	11kW	15HP	32.0	25.0	63.0	6	YES
SD1-32A-43	15kW	20HP	40.0	32.0	63.0	6	-
SD1-38A-43	18.5kW	25HP	47.0	38.0	100.0	10	-
SD1-45A-43	22kW	30HP	51.0	45.0	100.0	16	-
SD1-60A-43	30kW	40HP	70.0	60.0	125.0	25	-
SD1-75A-43	37kW	50HP	80.0	75.0	160.0	25	-
SD1-92A-43	45kW	60HP	98.0	92.0	200.0	35	-
SD1-115A-43	55kW	75HP	128.0	115.0	200.0	50	-
SD1-150A-43	75kW	100HP	139.0	150.0	250.0	70	-
SD1-180A-43	90kW	125HP	168.0	180.0	315.0	95	-
SD1-215A-43	110kW	150HP	201.0	215.0	350.0	120	-

NEW Single Phase Input, Single Phase Output 230V							
Model	Output Power		Input Current (A)	Output Current (A)	MCCB (A)	Cables (mm ²)	UL Approval
SD1-4.2A-21-1	0.2kW	0.27HP	6.5	4.2	10.0	1.5	
SD1-7.2A-21-1	0.4kW	0.5HP	9.3	7.2	16.0	1.5	
SD1-10.2A-21-1	0.75kW	1.0HP	15.7	10.2	25.0	2.5	
SD1-14A-21-1	1.5kW	2.0HP	24.0	14.0	40.0	2.5	
SD1-25A-21-1	2.2kW	3HP	38.0	25.0	63.0	6.0	
SD1-35A-21-1	3.7kW	5.5HP	52.0	35.0	100.0	16.0	

SD1 Series

General Purpose AC Variable Speed Inverter Drives

Power & Control Connections



NOTE: This is a typical circuit which, depending on the rating is subject to change. Please check the user manual for more details.

SD1 Series

General Purpose AC Variable Speed Inverter Drives



Technical Datasheet

Dimensions (mm)

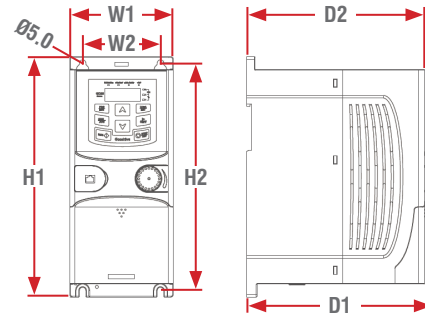
	Model	W1	W2	H1	H2	D1	D2
Single Phase 110V	SD1-2.5A-11	80	60	185	175	140.5	137.3
	SD1-4.2A-11	80	60	185	175	140.5	137.3
	SD1-5.8A-11	80	60	185	175	140.5	137.3
Single Phase 220V	SD1-2.5A-21	80	60	160	150	123.5	120.3
	SD1-4.2A-21	80	60	160	150	123.5	120.3
	SD1-7.5A-21	80	60	185	175	140.5	137.3
	SD1-10A-21	80	60	185	175	140.5	137.3

NEW

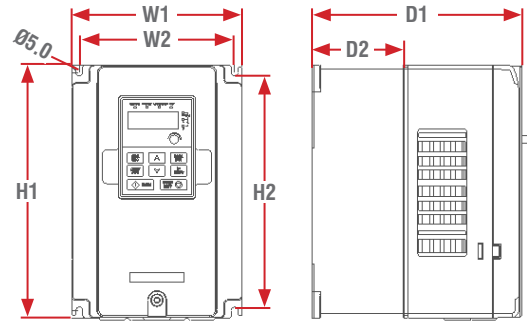
Single Phase Input Single Phase Output 230V	SD1-4.2A-21-1	80	60	160	150	123.5	120.3
	SD1-7.2A-21-1	80	60	185	175	140.5	137.3
	SD1-10.2A-21-1	80	60	185	175	140.5	137.3
	SD1-14A-21-1	170	151	320	303.5	196.3	113
	SD1-25A-21-1	170	151	320	303.5	196.3	113
	SD1-35A-21-1	200	185	340.6	328.6	184.3	104.5

Three Phase 220V	SD1-2.5A-23	80	60	185	175	140.5	137.3
	SD1-4.2A-23	80	60	185	175	140.5	137.3
	SD1-7.5A-23	146	131	256	243.5	167	84.5
	SD1-10A-23	146	131	256	243.5	167	84.5
	SD1-16A-23	146	131	256	243.5	167	84.5
	SD1-20A-23	170	151	320	303.5	196.3	113
SD1-30A-23	170	151	320	303.5	196.3	113	

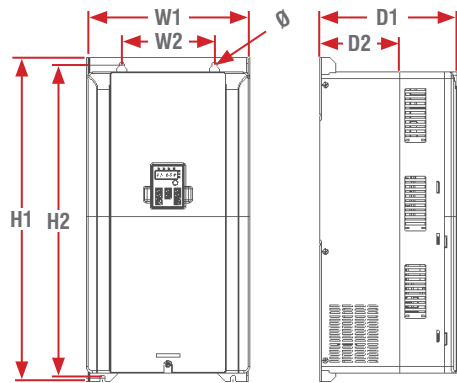
Three Phase 380V	SD1-2.5A-43	80	60	185	175	140.5	137.3
	SD1-4.2A-43	80	60	185	175	140.5	137.3
	SD1-5.5A-43	80	60	185	175	140.5	137.3
	SD1-9.5A-43	146	131	256	243.5	167	84.5
	SD1-14A-43	146	131	256	243.5	167	84.5
	SD1-18.5A-43	170	151	320	303.5	196.3	113
	SD1-25A-43	170	151	320	303.5	196.3	113
	SD1-32A-43	170	151	320	303.5	196.3	113
	SD1-38A-43	200	185	340.6	328.6	184.3	104.5
	SD1-45A-43	200	185	340.6	328.6	184.3	104.5
	SD1-60A-43	250	230	400	380	202	123.5
	SD1-75A-43	250	230	400	380	202	123.5
	SD1-92A-43	282	160	560	542	238	138
	SD1-115A-43	282	160	560	542	238	138
	SD1-150A-43	282	160	560	542	238	138
	SD1-180A-43	338	200	554	535	329.2	—
	SD1-215A-43	338	200	554	535	329.2	—



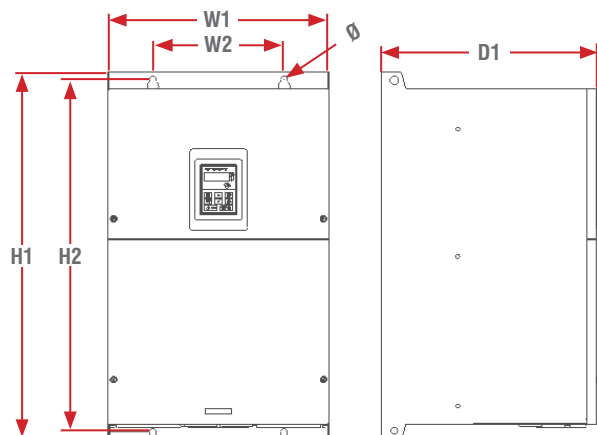
Wall mounting dimensions of 1PH 110V & 230V 0.4 to 2.2kW SD1 Inverter (unit: mm)



Wall mounting dimensions of 3PH 380V 0.4 to 37kW & 3PH 220V 1.5 to 7.5kW SD1 Inverter (unit: mm)



Wall mounting dimensions of 3PH 45 to 75kW SD1 Inverter (unit: mm)



Wall mounting dimensions of 3PH 380V 90 to 110kW SD1 Inverter (unit: mm)