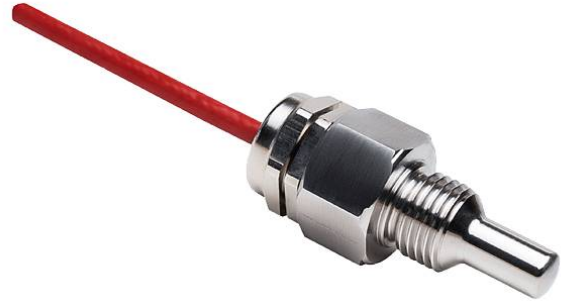


## Sensors without integrated amplifier | STK 412 KH-A4

- G1/4 screw-in sensor for flow monitoring in liquid media
- Medium temperature up to 120 °C
- Corrosion-proof stainless steel housing AISI 316 Ti
- Immersion depth 25 mm
- 2 m fixed cable FEP
- Installation in T-piece connector or welding sleeve
- Needs amplifier with analogue or switching output



### G1/4 - sensor length 25 mm - medium temperature up to 120 °C - FEP-cable

<b>TYPE</b>	STK 412 KH-A4
<b>Product ID</b>	P10435
<b>Medium</b>	Water, oil
<b>Detection range water</b>	1 ... 150 cm/s
<b>Detection range Oil</b>	3 ... 300 cm/s
<b>Process connection</b>	G1/4
<b>Sensor length L</b>	25 mm
<b>Ambient temperature</b>	10 ... 120 °C
<b>Medium temperature</b>	10 ... 120 °C
<b>Temperature gradient fluids</b>	250 K/min
<b>Start-up time typ.</b>	8 s (2 ... 15 s)
<b>Reaction time typ.</b>	2 s (1 ... 13 s)
<b>Compressive strength</b>	100 bar
<b>Material sensor touched by medium</b>	stainless steel AISI 316 Ti
<b>Material housing</b>	stainless steel AISI 316 Ti, brass
<b>Protection [EN 60529]</b>	IP 68
<b>Electrical connection</b>	2 m FEP-cable 4x0.25 mm <sup>2</sup>
<b>Accessories (in scope of delivery)</b>	2 x gasket G1/4 AFM 34

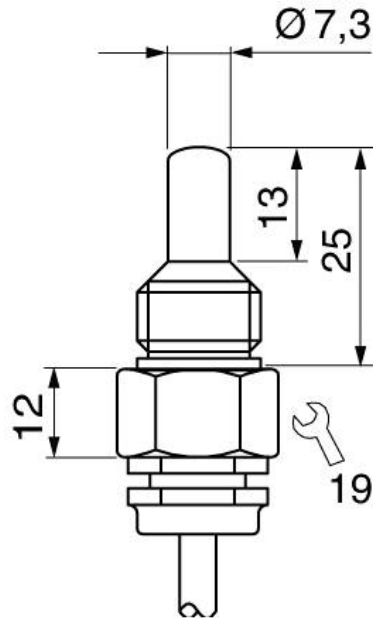
**Associated amplifiers**

SKM 420 GR, SKM 420 GSP, SKM 420 GA, SKM 522 GR, SKM 522 WR, SKZ 400 GR, SKZ 400 WR-115, SKZ 400 WR

**Note**

probe with longer cable available on request

Technical Image



Pin Map

Messfühler Probe	3 BU	8	SKZ 400
	1 BN	7	
	2 WH	6	
	4 BK	5	

Messfühler Probe	4 BK	4	SKM 420
	3 BU	3	
	2 WH	2	
	1 BN	1	

Messfühler Probe	4 BK	4	SKM 522
	3 BU	3	
	2 WH	2	
	1 BN	1	