

Amplifiers for flow sensors | SKZ 400 WR-115

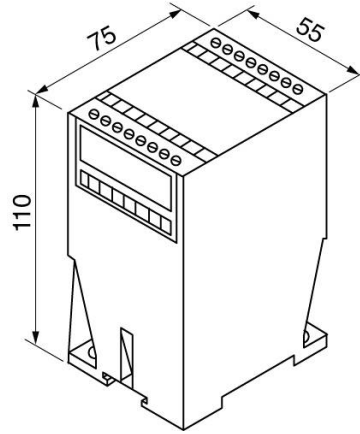
- Measuring and evaluation electronics for sensors of the ST/STK 400 series
- Display of the current flow condition with 6 LEDs
- Intuitive limit value adjustment with potentiometer
- Design for mounting on a top hat rail
- Powerful relay output
- Adjustable temperature monitoring and switch-off time delay



115 VAC

TYPE	SKZ 400 WR-115
Product ID	P10502
Temperature monitoring	-20 ... 100 °C
Output	switching output
Output function	2x relay / change-over
Turn off delay	0...25 s adjustable
Supply voltage	115 VAC +/- 10 %
Switching voltage max.	250 VAC / 60 VDC
Switching current max.	4 A AC / 4 A DC
Switching power max.	1000 VA / 60 W
Ambient temperature	-20 ... 60 °C
Display	LED
Protection [EN 60529] terminal	IP 20
Protection [EN 60529] housing	IP 40
Electrical connection	terminal screws
Accessories (in scope of delivery)	screwdriver
Amplifier for probe	STA..., STB..., STC..., STD..., STK..., ST... (none Ex), LTZ

Technical Image



Pin Map

