

Sensors for explosive areas without amplifier for liquid media | ST 104 K

- NPT1/2 screw-in sensor for flow monitoring in liquid media
- ATEX approval for operation in Zone 1 and Zone 21
- Medium temperature up to 85 °C
- Corrosion-proof stainless steel housing AISI 316 Ti
- Immersion depth 40 mm
- 2 m fixed cable PUR
- Installation in T-piece or welding sleeve
- Needs ATEX certified amplifier with analogue or switching output

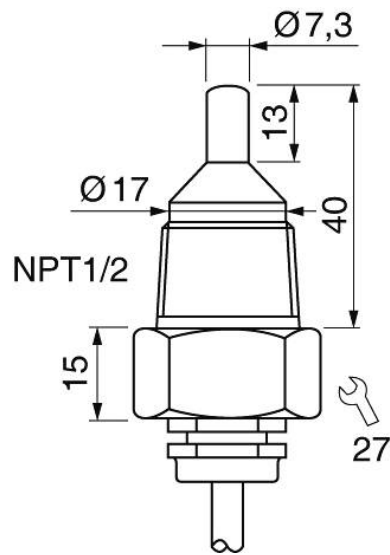


NPT1/2 - sensor length 40 mm - Ex-Zone 1/21 - PUR-cable

TYPE	ST 104 K
Product ID	P11147
Medium	Water, oil
Detection range water	1 ... 100 cm/s
Detection range Oil	3 ... 200 cm/s
Process connection	NPT1/2
Sensor length L	40 mm
Output	output with separate Amplifier
Ex area of use	Zone 1, Zone 21
ATEX Certificate	TÜV 97 ATEX 1218
ATEX marking gas	Ex II 2 G Ex ib IIC T6...T3 Gb
ATEX Marking dust	Ex II 2 D Ex ib IIIC T125°C Db
Maximum values	$U_i = 13.65 \text{ V} / I_i = 200 \text{ mA} / P_i = 0.69 \text{ W} / C_i = 0.45 \text{ nF} / L_i = 1.80 \text{ } \mu\text{H}$
Temperature range in T6	-20 ... 40 °C
Temperature range in T5	-20 ... 55 °C
Temperature range in T4	-20 ... 85 °C
Temperature range in T3	-20 ... 85 °C
Temperature range dust-Ex	-20 ... 85 °C

Start-up time typ.	8 s (2 ... 18 s)
Reaction time typ.	2 s (1 ... 13 s)
Compressive strength	60 bar
Material sensor touched by medium	stainless steel AISI 316 Ti
Material housing	stainless steel AISI 316 Ti, brass
Protection [EN 60529]	IP 67
Electrical connection	2 m PUR-cable, 4x0.25 mm ²
Associated amplifiers	SZAb 400 EX-GR, SZAb 400 EX-WR115, SZAb 400 EX-WR230, SZAb 400 EX-GA
Note	probe with longer cable available on request

Technical Image



Pin Map

