

## Air flow sensors without amplifier for explosive areas | STS 215 K

- G1/2 screw-in sensor for flow monitoring in gaseous media
- ATEX approval for operation in Zone 0 and Zone 20
- ATEX approval for operation in Ex separation wall Zone 0/1
- Medium temperature up to 85 °C
- Corrosion-proof stainless steel housing AISI 316 Ti
- Immersion depth 48 mm
- 2 m fixed cable PUR
- Installation in T-piece or welding sleeve
- Needs ATEX certified amplifier with analogue or switching output
- Observe special conditions for safe use

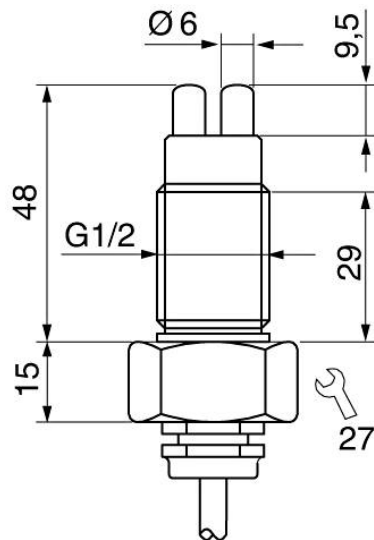


### G1/2 - sensor length 48 mm - Ex-Zone 0/20 - PUR-cable

|   |   |
|---|---|
| <b>TYPE</b>                                       | STS 215 K   |
| <b>Product ID</b>                                 | P11153  |
| <b>Medium</b>                                     | air   |
| <b>Detection range air</b>                        | 2 ... 25 m/s  |
| <b>Process connection</b>                         | G1/2  |
| <b>Sensor length L</b>                            | 48 mm   |
| <b>Output</b>                                     | output with separate Amplifier  |
| <b>Ex area of use</b>                             | installation in partition wall Zone 0/1, Zone 0, Zone 20  |
| <b>ATEX Certificate</b>                           | TÜV 98 ATEX 1298 X  |
| <b>Marking gas Ex for partition wall mounting</b> | Ex II 1/2 G Ex ia IIC T6...T3 Ga/Gb   |
| <b>ATEX marking gas</b>                           | Ex II 1 G Ex ia IIC T6...T3 Ga  |
| <b>ATEX Marking dust</b>                          | Ex II 1 D Ex ia IIIC T130°C Da  |
| <b>Maximum values</b>                             | $U_i = 13.65 \text{ V} / I_i = 200 \text{ mA} / P_i = 0.69 \text{ W} / C_i = 0.45 \text{ nF} / L_i = 1.80 \text{ } \mu\text{H}$ |
| <b>Temperature range in T6</b>                    | -20 ... 35 °C   |
| <b>Temperature range in T5</b>                    | -20 ... 50 °C   |
| <b>Temperature range in T4</b>                    | -20 ... 85 °C   |

|   |  |
|---|--|
| <b>Temperature range in T3</b>            | -20 ... 85 °C  |
| <b>Temperature range dust-Ex</b>          | -20 ... 85 °C  |
| <b>Start-up time typ.</b>                 | 5 ... 20 s   |
| <b>Reaction time typ.</b>                 | 3 s (2 ... 30 s)   |
| <b>Compressive strength</b>               | 10 bar   |
| <b>Material sensor touched by medium</b>  | stainless steel AISI 316 Ti  |
| <b>Material housing</b>                   | stainless steel AISI 316 Ti, brass                                   |
| <b>Protection [EN 60529]</b>              | IP 67  |
| <b>Electrical connection</b>              | 2 m PUR-cable, 4x0.25 mm <sup>2</sup>                                |
| <b>Accessories (in scope of delivery)</b> | 2 x gasket G1/2 AFM 34   |
| <b>Associated amplifiers</b>              | SZAb 400 EX-GR, SZAb 400 EX-WR115, SZAb 400 EX-WR230, SZAb 400 EX-GA |
| <b>Note</b>                               | probe with longer cable available on request                         |

Technical Image



Pin Map

