

Sensors for explosive areas without amplifier for liquid media | ST 110 K-L140

- G1/2 screw-in sensor for flow monitoring in liquid media
- ATEX approval for operation in Zone 1 and Zone 21
- Medium temperature up to 85 °C
- Corrosion-proof stainless steel housing AISI 316 Ti
- Immersion depth 140 mm - thread length 20 mm
- 2 m fixed cable PUR
- Installation in T-piece or welding sleeve
- Needs ATEX certified amplifier with analogue or switching output

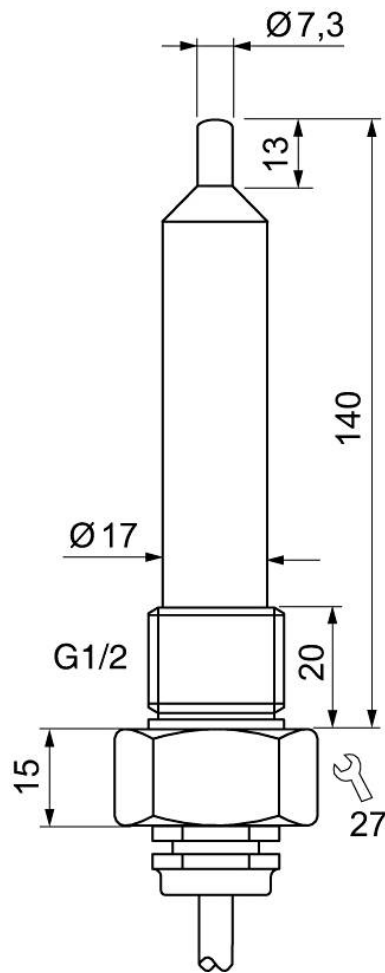


G1/2 - sensor length 140 mm - Ex-Zone 1/21 - PUR-cable

| | |
|----------------------------------|--|
| TYPE | ST 110 K-L140 |
| Product ID | P11196 |
| Medium | Water, oil |
| Detection range water | 1 ... 100 cm/s |
| Detection range Oil | 3 ... 200 cm/s |
| Process connection | G1/2 |
| Sensor length L | 140 mm |
| Output | output with separate Amplifier |
| Ex area of use | Zone 1, Zone 21 |
| ATEX Certificate | TÜV 97 ATEX 1218 |
| ATEX marking gas | Ex II 2 G Ex ib IIC T6...T3 Gb |
| ATEX Marking dust | Ex II 2 D Ex ib IIIC T125°C Db |
| Maximum values | U _i = 13.65 V / I _i = 200 mA / P _i = 0.69 W / C _i = 0.45 nF / L _i = 1.80 µH |
| Temperature range in T6 | -20 ... 40 °C |
| Temperature range in T5 | -20 ... 55 °C |
| Temperature range in T4 | -20 ... 85 °C |
| Temperature range in T3 | -20 ... 85 °C |
| Temperature range dust-Ex | -20 ... 85 °C |
| Start-up time typ. | 8 s (2 ... 18 s) |
| Reaction time typ. | 2 s (1 ... 13 s) |

| | |
|---|--|
| Compressive strength | 60 bar |
| Material sensor touched by medium | stainless steel AISI 316 Ti |
| Material housing | stainless steel AISI 316 Ti, brass |
| Protection [EN 60529] | IP 67 |
| Electrical connection | 2 m PUR-cable, 4x0.25 mm ² |
| Accessories (in scope of delivery) | 2 x gasket G1/2 AFM 34 |
| Associated amplifiers | SZAb 400 EX-GR, SZAb 400 EX-WR115, SZAb 400 EX-WR230, SZAb 400 EX-GA |
| Note | probe with longer cable available on request |

Technical Image



Pin Map

