

## Flow rate sensors for fluid media with an end value of 1...10 l/min | SDN 552/6 GAPP

- 7 segment flow rate indication
- Analog output and switching output PNP NO/NC
- Working range 0,1...2 l/min
- Flow and temperature monitoring of water

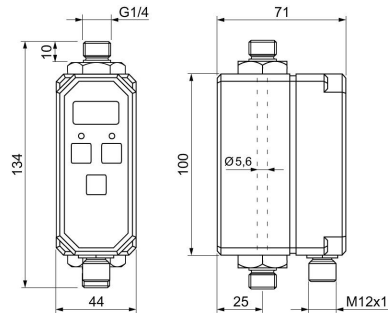
**100...2000 ml/min - 1x PNP programmable + 1x 4...20 mA**



<b>TYPE</b>	SDN 552/6 GAPP
<b>Product ID</b>	P11349
<b>Medium</b>	Water
<b>Detection range ml/min</b>	0 ... 0 ml/min
<b>Detection range water</b>	0.1 ... 2 l/min
<b>Temperature monitoring</b>	0 ... 60 °C
<b>Inner diameter d</b>	5.6 mm
<b>Process connection</b>	G1/4
<b>Output</b>	analog output 4...20 mA, linear, switching output
<b>Output function</b>	PNP-NO / NC
<b>Supply voltage</b>	24 VDC +/- 10 %
<b>Current consumption max.</b>	100 mA
<b>Switching current max.</b>	200 mA (20 °C)
<b>Load RL</b>	200 ... 500 Ω
<b>Reverse polarity protection</b>	✓
<b>Ambient temperature</b>	0 ... 60 °C
<b>Medium temperature</b>	0 ... 60 °C
<b>Reaction time typ.</b>	1 ... 8 s
<b>Programmable functions</b>	switching point, hysteresis, switch on delay, time on/off delay, adjustable to reference, averaging, access code, NC/NO
<b>Compressive strength</b>	10 bar

<b>Material sensor touched by medium</b>	stainless steel AISI 316 Ti, FPM
<b>Material housing</b>	PBT
<b>Display</b>	7-segment / 3 digits
<b>Protection [EN 60529]</b>	IP 65
<b>Electrical connection</b>	M12 connector
<b>Accessories</b>	mounting plate, connecting cable SLG, SLW

Technical Image



Pin Map

