

Amplifiers for flow sensors | SKM 421 GSP

- Amplifier series 400 for flow sensors
- Indication of the flow rate via LED strip
- Switching or analogue output
- To activate and deactivate fans and warning devices
- To signal flow failures
- For trend detection during flow changes

for air flow sensors - 24 VDC - PNP NO

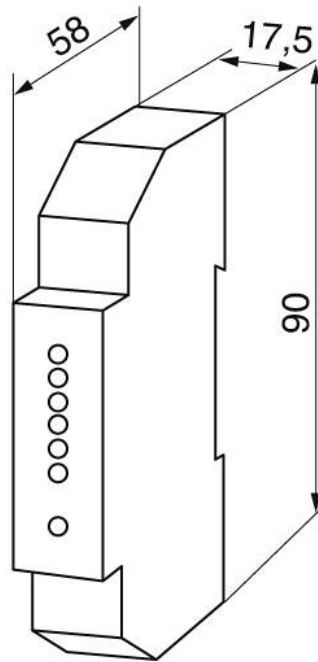


TYPE	SKM 421 GSP
Product ID	P11393
Output	switching output
Output function	PNP-NO
Supply voltage	24 VDC +/- 20 %
Switching current max.	400 mA (20 °C)
Reverse polarity protection	✓
Ambient temperature	-20 ... 60 °C
Protection [EN 60529] terminal	IP 20
Protection [EN 60529] housing	IP 40
Electrical connection	terminal screws
Accessories (in scope of delivery)	screwdriver

Amplifier for probe

LTZ...

Technical Image



Pin Map

