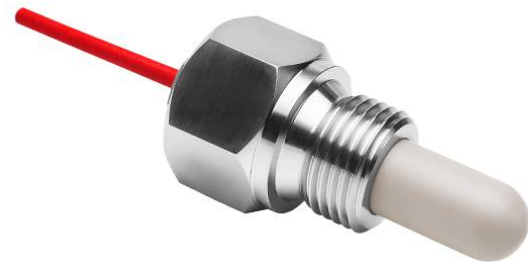


Capacitive sensors for high-temperature use

| KGFT 150

Filling level monitor for high temperature 180° C /200° C/ 230° C with PEEK or PTFE tip

Capacitive filling level monitors / filling level switches for the reliable monitoring of the maximum or minimum filling level of fluids or bulk materials

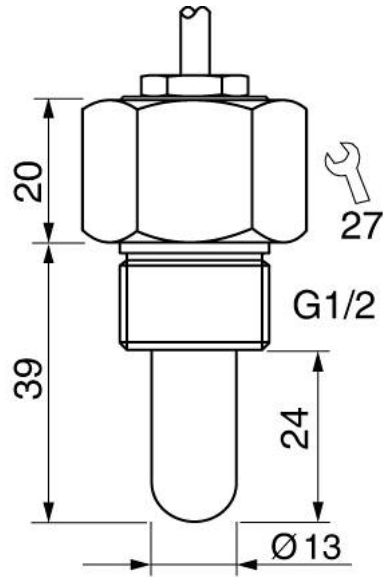


- Compact, space-saving design
- For use in aggressive media
- Steam-resistant version available

G1/2 - 200 °C

TYPE	KGFT 150
Product ID	P21120
Switching Point	-6 mm
Ambient temperature	-35 ... 200 °C
Compressive strength (at 25°C)	30 bar
Material sensor touched by medium	PEEK
Material housing	stainless steel AISI 316 Ti
Seal material	PTFE
Protection [EN 60529]	IP 68
Protection [EN 60529] LEM connection	IP 54
Electrical connection	2 m PTFE cable with LEM 01-plug system
Associated amplifiers	KK 030 GSP, KU 120..., KUA 120...

Technical Image



Pin Map

