

# Capacitive level switches for hazardous areas - high temperature | KGFTa 150 Ex

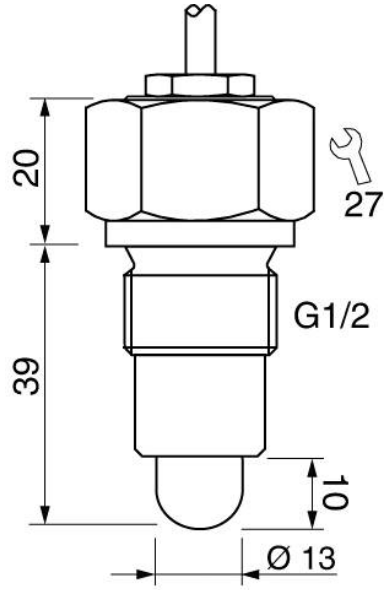
- Level monitor for use up to 180 ° C
- Mounting in zone 0 (gas)
- Mounting in partition wall zone 0 / zone 1 (gas)
- Compact design



## Process connection G1/2

|  |  |
|--|--|
| <b>TYPE</b>                              | KGFTa 150 Ex   |
| <b>Product ID</b>                        | P21244   |
| <b>Switching Point</b>                   | -8 mm  |
| <b>Ex area of use</b>                    | Zone 0, Zone 0, partition wall Zone 0 / Zone 1                         |
| <b>ATEX Certificate</b>                  | EPS 19 ATEX 1 263 X  |
| <b>IECEX Certificate</b>                 | IECEX EPS 19.0116X   |
| <b>ATEX marking gas</b>                  | Ex II 1/2 G Ex ia/ib IIC T6...T3 Ga/Gb / Ex II 1G Ex ia IIC T6...T3 Ga |
| <b>IECEX marking gas</b>                 | Ex ia/ib IIC T6...T3 Ga/Gb / Ex ia IIC T6...T3 Ga                      |
| <b>Ambient temperature gas zone 0 T6</b> | -20 ... 80 °C  |
| <b>Ambient temperature gas zone 0 T5</b> | -20 ... 95 °C  |
| <b>Ambient temperature gas zone 0 T4</b> | -20 ... 130 °C   |
| <b>Ambient temperature gas zone 0 T3</b> | -20 ... 180 °C   |
| <b>Material sensor touched by medium</b> | stainless steel AISI 316 Ti, PEEK                                      |
| <b>Seal material</b>                     | PTFE / FKM   |
| <b>Protection [EN 60529]</b>             | Sensor: IP 68 (3 bar) / LEMO-Anschluss: IP 54                          |
| <b>Electrical connection</b>             | 2 m PTFE cable plug system LEMO (series B)                             |
| <b>Accessories</b>                       | ex pre-amplifier KKa 030 Ex / ex amplifier IKMb 123 Ex-...             |

Technical Image



Pin Map

