

Inductive proximity switches with analogue output | IDA 030 GI

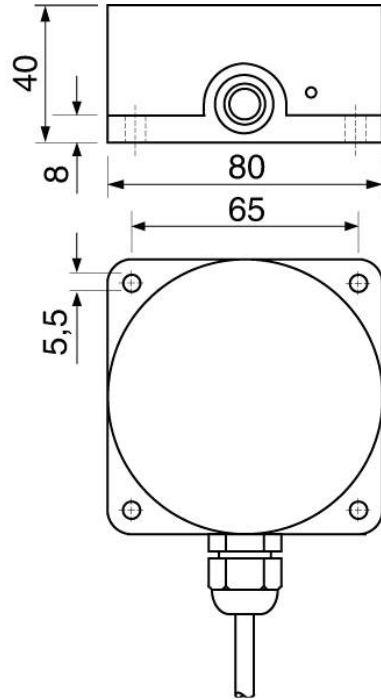
- Analogue proximity sensors
- With current or voltage output
- Measuring range 0...30 mm Large switching distance
- For the distance measurement of metals in a hot environment
- For use in the metal processing
- For the double occupation control of sheet metal



**Ø80 mm - analog range 0...30 mm non flush -
Output 4...20 mA**

TYPE	IDA 030 GI
Product ID	P31131
Thread/sleeve	Ø80 mm
Operating Distance sn	non-flush
Analog range	0 ... 30 mm
Supply voltage	18 ... 27 VDC
Current consumption max.	40 mA
Output current	23 mA
Linearity deviation	5 %
Load resistance RL	< 4 kΩ
Ambient temperature	-25 ... 70 °C
Temperature deviation	10 %
Material housing	PBT
Protection [EN 60529]	IP 67
Electrical connection	2 m PVC-cable 3x0.5 mm ²

Technical Image



Pin Map

