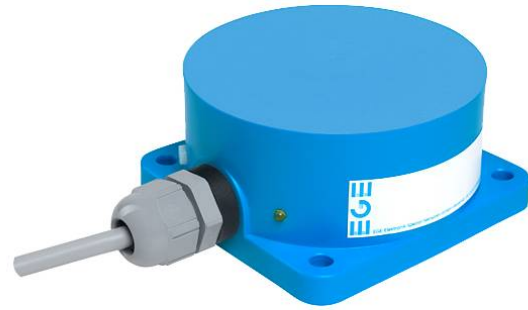


## All metal sensors | IDBS 080 GPP

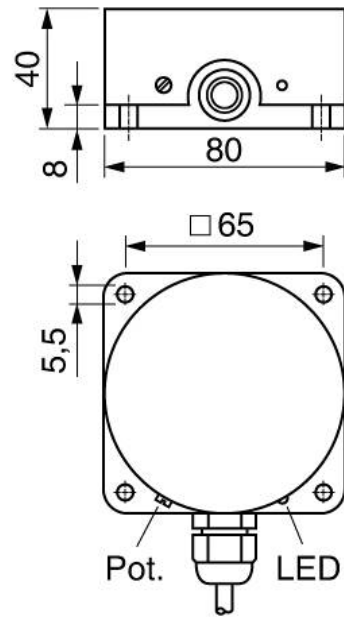
- ID for heightened requirements and increased switching distances Inductive proximity switches with high switching distances and simultaneously excellent resistance to electromagnetic interference
- Stable switching behaviour
- Safe detection even of large moving metal parts, such as pipes or steel plates
- For use in steel production or metal processing
- To detected large workpieces



### Ø80 mm - sn 70 mm non flush - Output PNP programmable

<b>TYPE</b>	IDBS 080 GPP
<b>Product ID</b>	P31141
<b>Operating Distance sn</b>	70 mm non-flush
<b>Output</b>	switching output
<b>Supply voltage</b>	10 ... 30 VDC
<b>Current consumption max.</b>	25 mA
<b>Switching current max.</b>	200 mA
<b>Short circuit proof</b>	yes
<b>Reverse polarity protection</b>	✓
<b>Voltage drop max.</b>	2 V
<b>Switching frequency</b>	20 Hz
<b>Ambient temperature</b>	-25 ... 75 °C
<b>EMC-class</b>	A
<b>Material housing</b>	PBT
<b>Protection [EN 60529]</b>	IP 67
<b>Electrical connection</b>	2 m PVC-cable 3x0.5 mm <sup>2</sup>

Technical Image



Pin Map

