

Sensors for use at high temperatures | IGMH 015 GSP

- For use at temperatures up to 160° C
- Can be used as limit switches or for the position query of trolleys, baskets, workpieces or moulds in drying and furnace technology
- For use in baking lines and belt dryers



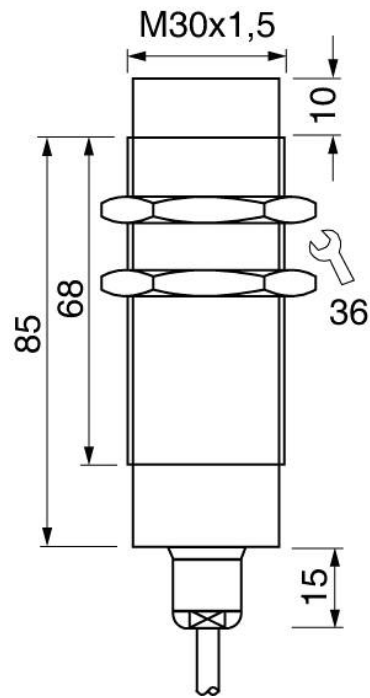
M30x1.5 - sn 15 mm non flush - Output PNP NO

| | |
|------------------------------------|-----------------------------------|
| TYPE | IGMH 015 GSP |
| Product ID | P31164 |
| Thread/sleeve | M30x1,5 |
| Operating Distance sn | 15 mm non-flush |
| Output | switching output |
| Output function | PNP-NO |
| Supply voltage | 10 ... 30 VDC |
| Current consumption max. | 7 mA |
| Residual current | 2 |
| Switching current max. | 200 mA |
| Short circuit proof | yes |
| Reverse polarity protection | ✓ |
| Voltage drop max. | 2 V |
| Switching frequency | 200 Hz |
| Ambient temperature | -25 ... 160 °C |
| EMC-class | A |
| Material housing | stainless steel AISI 316 Ti, PEEK |
| Material thread | stainless steel AISI 316 Ti (A4) |
| Material cap | PEEK |
| Protection [EN 60529] | IP 68 + IP 69K |

Electrical connection

2 m FEP-cable 3x0.34 mm²

Technical Image



Pin Map

