

# Specially sealed sensors - climatic proofed for use in a temperature range up to 120°C

## | IDKW 120 GSP

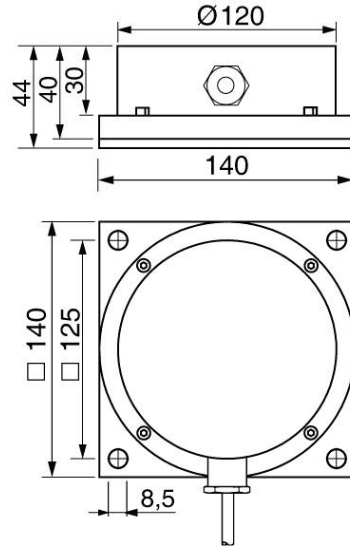
- Safe object detection of large moving objects thanks to optimised hysteresis
- Large switching distances up to 90 mm
- Optimised for use in cleaning processes
- For uninterrupted use in rinsing and washing plant
- For the reliable detection of baskets and trolleys
- High-pressure cleaning resistant



**Ø120 mm - sn 90 mm non flush - Output PNP NO**

<b>TYPE</b>	IDKW 120 GSP
<b>Product ID</b>	P31177
<b>Operating Distance sn</b>	90 mm non-flush
<b>Output</b>	switching output
<b>Output function</b>	PNP-NO
<b>Supply voltage</b>	10 ... 30 VDC
<b>Current consumption max.</b>	10 mA
<b>Switching current max.</b>	300 mA
<b>Voltage drop max.</b>	2 V
<b>Switching frequency</b>	30 Hz
<b>Hysteresis max.</b>	10 %
<b>Ambient temperature</b>	-20 ... 110 °C
<b>Limit temperature</b>	120 °C
<b>Temperature deviation</b>	10 %
<b>EMC-class</b>	A
<b>Material housing</b>	stainless steel AISI 316 Ti, stainless steel, PP
<b>Material cap</b>	PP
<b>Protection [EN 60529]</b>	IP 68 + IP 69K

Technical Image



Pin Map

