

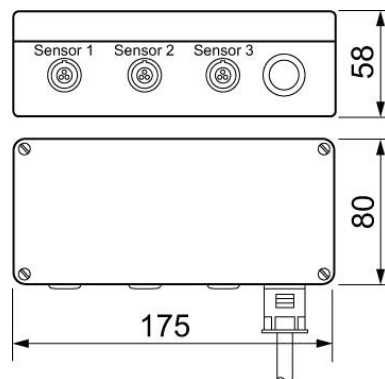
## Accessories for inductive and kapacitive sensors | GS 175

- Connection of sensors with armoured cable
- easy exchange of sensors in heavy duty areas
- IP 68-plug



<b>TYPE</b>	GS 175
<b>Product ID</b>	P31217
<b>Connectable Sensors</b>	3.0000
<b>Supply voltage</b>	10 ... 55 VDC
<b>Ambient temperature</b>	-20 ... 75 °C
<b>Protection [EN 60529]</b>	IP 68
<b>Electrical connection</b>	10 m TPE-numbered cable 7x0.5 mm <sup>2</sup>
<b>Note</b>	for sensors with metal armoured cable IGMF 010 GSP-PZ / INFW 020 GSP-PZ

Technical Image



Pin Map

