

Inductive sensors for high mechanical loads

| IGVU 05 GS

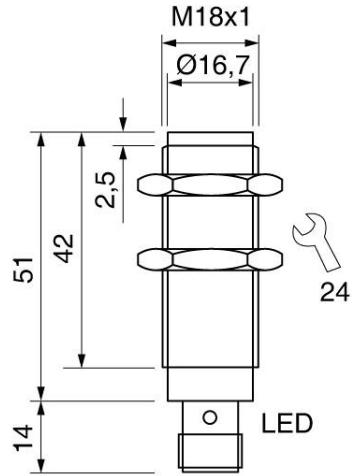
- IGV solid stainless steel sensors
- For high mechanical stress
- One piece from stainless steel
- Especially impact-proof Resistant to vibration and shock
- For use under harsh mechanical conditions
- Inductive proximity switches for use in the mobile machinery and
- Heavy duty applications



M18x1 - sn 5 mm flush - Output 2-wire DC NO

TYPE	IGVU 05 GS
Product ID	P31226
Thread/sleeve	M18x1
Operating Distance sn	5 mm flush
Output	switching output
Supply voltage	8 ... 30 VDC
Current consumption max.	1.5 mA
Switching current max.	150 mA
Short circuit proof	yes
Reverse polarity protection	✓
Voltage drop max.	3.5 V
Switching frequency	180 Hz
Ambient temperature	-25 ... 80 °C
EMC-class	A
Material housing	stainless steel AISI 316 L, stainless steel
Material thread	stainless steel AISI 316 L
Material cap	stainless steel AISI 316 L
Display	✓
Protection [EN 60529]	IP 68 + IP 69K
Electrical connection	M12 connector

Technical Image



Pin Map

