

# Inductive sensor of high standard / for heightened requirements | IGMU 02 GSP

- Inductive proximity switches resistant against electromagnetic interference which might arise from cables or radiation.
- For use in systems with challenging EMC conditions
- Customer-specific adaptations
- For the detection of metallic objects,
- presence detection,
- Position and movement monitoring,
- Object counting and
- Speed control on conveyor belts
- **M12x1 - sn 2 mm flush - Output PNP NO**

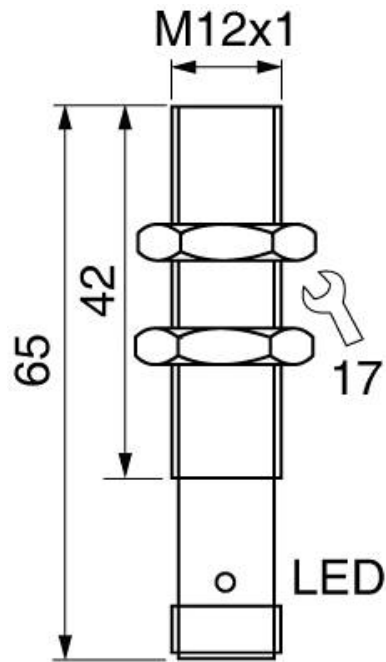


|                                    |                  |
|------------------------------------|------------------|
| <b>TYPE</b>                        | IGMU 02 GSP      |
| <b>Product ID</b>                  | P31246           |
| <b>Thread/sleeve</b>               | M12x1            |
| <b>Operating Distance sn</b>       | 2 mm flush       |
| <b>Output</b>                      | switching output |
| <b>Output function</b>             | PNP-NO           |
| <b>Supply voltage</b>              | 10...48 VDC      |
| <b>Current consumption max.</b>    | 2.5 mA           |
| <b>Switching current max.</b>      | 200 mA           |
| <b>Short circuit proof</b>         | yes              |
| <b>Reverse polarity protection</b> | ✓                |
| <b>Voltage drop max.</b>           | 2 V              |
| <b>Switching frequency</b>         | 500 Hz           |
| <b>Ambient temperature</b>         | -25 ... 75 °C    |
| <b>EMC-class</b>                   | A                |
| <b>Material housing</b>            | brass-Ni, PBT    |
| <b>Material thread</b>             | Br-Ni            |
| <b>Material cap</b>                | PBT              |
| <b>Display</b>                     | ✓                |
| <b>Protection [EN 60529]</b>       | IP 67            |

Electrical connection

M12 connector

Technical Image



Pin Map

