

Inductive sensor of high standard / for heightened requirements | IDU 105 GSOP

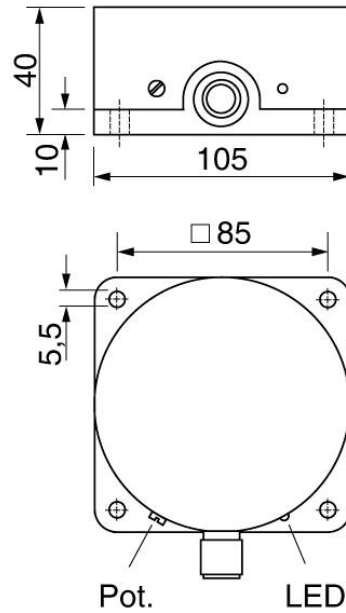
- ID for heightened requirements and increased switching distances Inductive proximity switches with high switching distances and simultaneously excellent resistance to electromagnetic interference
- Stable switching behaviour
- Safe detection even of large moving metal parts, such as pipes or steel plates
- For use in steel production or metal processing
- To detected large workpieces



Ø105 mm - sn 100 mm non flush - Output PNP NC + NO

TYPE	IDU 105 GSOP
Product ID	P31267
Operating Distance sn	100 mm non-flush
Adjustment range	20 ... 110 mm
Output	switching output
Current consumption max.	4 mA
Switching current max.	400 mA
Short circuit proof	yes
Reverse polarity protection	✓
Voltage drop max.	2 V
Switching frequency	20 Hz
Ambient temperature	-25 ... 75 °C
EMC-class	A
Material housing	PBT
Display	✓
Protection [EN 60529]	IP 67
Electrical connection	M12 connector

Technical Image



Pin Map

