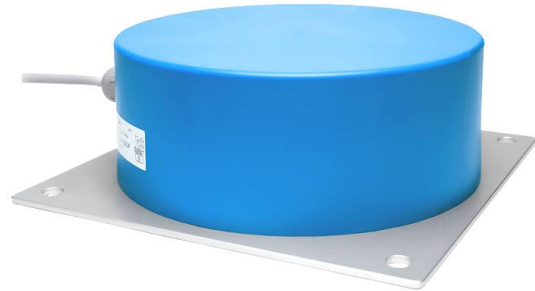


Inductive sensor of high standard / for heightened requirements | IDS 160 WP

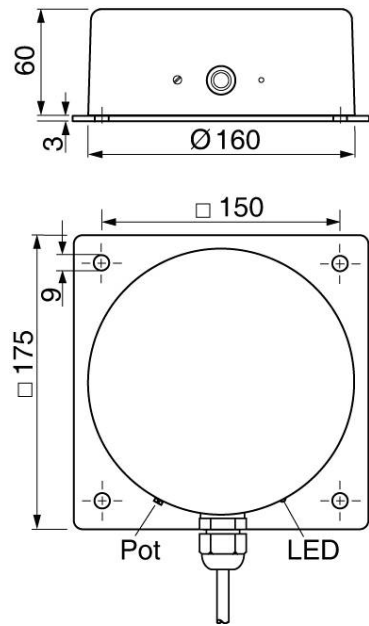
- ID for heightened requirements and increased switching distances Inductive proximity switches with high switching distances and simultaneously excellent resistance to electromagnetic interference
- Stable switching behaviour
- Safe detection even of large moving metal parts, such as pipes or steel plates
- For use in steel production or metal processing
- To detected large workpieces



Ø160 mm - sn 120 mm non flush - Output 2-wire AC programmable

TYPE	IDS 160 WP
Product ID	P31272
Operating Distance sn	120 mm non-flush
Adjustment range	20 ... 150 mm
Output	switching output
Supply voltage	20...250 VAC
Current consumption max.	2.5 mA
Switching current max.	400 mA
Short circuit proof	no
Voltage drop max.	6 V
Switching frequency	10 Hz
Ambient temperature	-25 ... 75 °C
EMC-class	A
Material housing	aluminum, PBT
Display	✓
Protection [EN 60529]	IP 67

Technical Image



Pin Map

