

Sensors for use at high temperatures | IGMH 010 GSP-K

- For use at temperatures up to 160° C
- Can be used as limit switches or for the position query of trolleys, baskets, workpieces or moulds in drying and furnace technology
- For use in baking lines and belt dryers



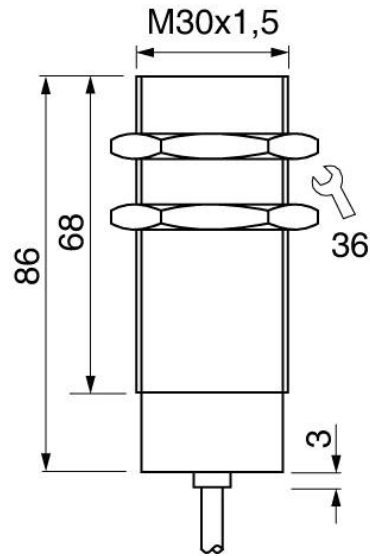
M30x1.5 - sn 10 mm flush - Output PNP NO

TYPE	IGMH 010 GSP-K
Product ID	P31303
Thread/sleeve	M30x1,5
Operating Distance sn	10 mm flush
Output	switching output
Output function	PNP-NO
Supply voltage	10 ... 30 VDC
Current consumption max.	7 mA
Residual current	2
Switching current max.	200 mA
Short circuit proof	yes
Reverse polarity protection	✓
Voltage drop max.	2 V
Switching frequency	200 Hz
Ambient temperature	-25 ... 160 °C
EMC-class	A
Material housing	stainless steel AISI 316 Ti, PEEK
Material thread	stainless steel AISI 316 Ti (A4)
Material cap	PEEK
Protection [EN 60529]	IP 67

Electrical connection

2 m silicone-cable 3x0.34 mm²

Technical Image



Pin Map

