

Inductive sensor of high standard / for heightened requirements | IGM 08 GSP

- Inductive proximity switches resistant against electromagnetic interference which might arise from cables or radiation.
- For use in systems with challenging EMC conditions
- Customer-specific adaptations
- For the detection of metallic objects, presence detection,
- Position and movement monitoring,
- Object counting and
- Speed control on conveyor belts



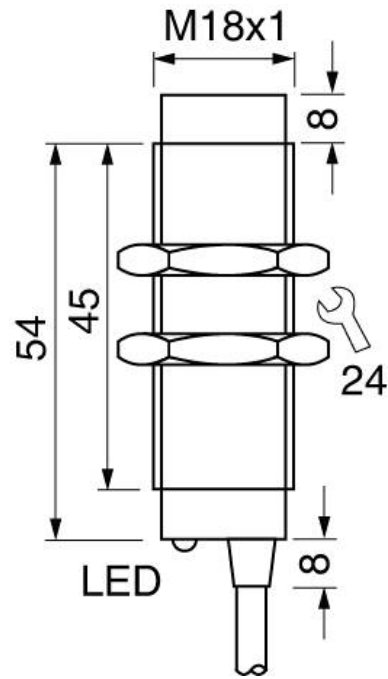
M18x1 - sn 8 mm non flush - Output PNP NO

TYPE	IGM 08 GSP
Product ID	P31310
Thread/sleeve	M18x1
Operating Distance sn	8 mm non-flush
Output	switching output
Output function	PNP-NO
Supply voltage	10...48 VDC
Current consumption max.	2.5 mA
Switching current max.	200 mA
Short circuit proof	yes
Reverse polarity protection	✓
Voltage drop max.	2 V
Switching frequency	500 Hz
Ambient temperature	-25 ... 75 °C
EMC-class	A
Material housing	brass-Ni, PBT
Material thread	Br-Ni
Material cap	PBT
Display	✓

Protection [EN 60529]

IP 67

Technical Image



Pin Map

