

# Inductive sensor of high standard / for heightened requirements | IGM 008 GSP

- Inductive proximity switches resistant against electromagnetic interference which might arise from cables or radiation.
- For use in systems with challenging EMC conditions
- Customer-specific adaptations
- For the detection of metallic objects, presence detection,
- Position and movement monitoring,
- Object counting and
- Speed control on conveyor belts



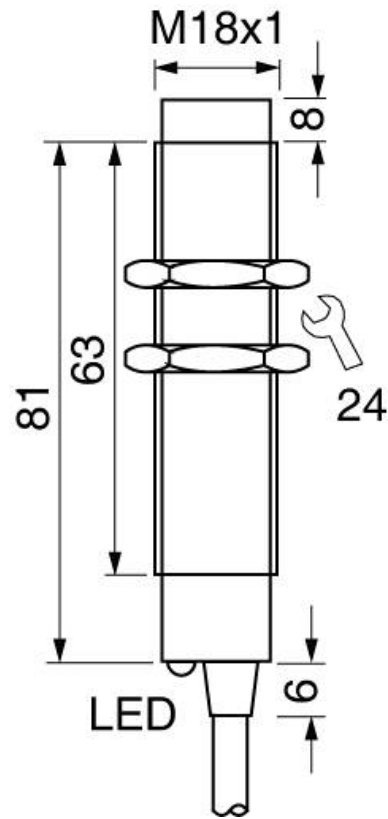
## M18x1 - sn 8 mm non flush - Output PNP NO

<b>TYPE</b>	IGM 008 GSP
<b>Product ID</b>	P31318
<b>Thread/sleeve</b>	M18x1
<b>Operating Distance sn</b>	8 mm non-flush
<b>Output</b>	switching output
<b>Output function</b>	PNP-NO
<b>Supply voltage</b>	10...48 VDC
<b>Current consumption max.</b>	2.5 mA
<b>Switching current max.</b>	200 mA
<b>Short circuit proof</b>	yes
<b>Reverse polarity protection</b>	✓
<b>Voltage drop max.</b>	2 V
<b>Switching frequency</b>	500 Hz
<b>Ambient temperature</b>	-25 ... 75 °C
<b>EMC-class</b>	A
<b>Material housing</b>	brass-Ni, PBT
<b>Material thread</b>	Br-Ni
<b>Material cap</b>	PBT
<b>Display</b>	✓
<b>Protection [EN 60529]</b>	IP 67

Electrical connection

2 m PVC-cable 3x0.34 mm<sup>2</sup>

Technical Image



Pin Map

