

# Inductive sensor of high standard / for heightened requirements | IDU 200 GSP

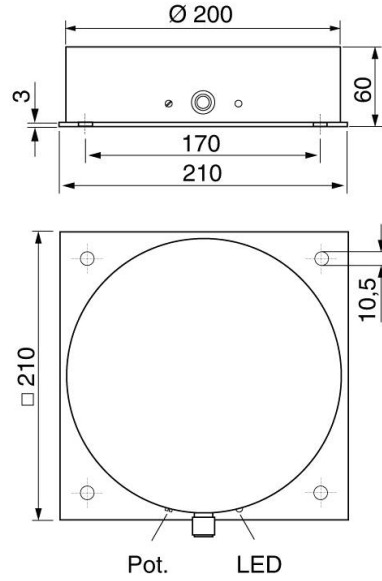
- ID for heightened requirements and increased switching distances Inductive proximity switches with high switching distances and simultaneously excellent resistance to electromagnetic interference
- Stable switching behaviour
- Safe detection even of large moving metal parts, such as pipes or steel plates
- For use in steel production or metal processing
- To detected large workpieces



## Ø200 mm - sn 140 mm non flush - Output PNP NO

<b>TYPE</b>	IDU 200 GSP
<b>Product ID</b>	P31327
<b>Operating Distance sn</b>	140 mm non-flush
<b>Adjustment range</b>	40 ... 170 mm
<b>Output</b>	switching output
<b>Output function</b>	PNP-NO
<b>Supply voltage</b>	10...55 VDC
<b>Current consumption max.</b>	4 mA
<b>Switching current max.</b>	400 mA
<b>Short circuit proof</b>	yes
<b>Reverse polarity protection</b>	✓
<b>Voltage drop max.</b>	2 V
<b>Switching frequency</b>	20 Hz
<b>Ambient temperature</b>	-25 ... 75 °C
<b>EMC-class</b>	A
<b>Material housing</b>	aluminum, PBT
<b>Display</b>	✓
<b>Protection [EN 60529]</b>	IP 67
<b>Electrical connection</b>	M12 connector

Technical Image



Pin Map

