

Specially sealed sensors - climatic proofed for use in a temperature range up to 120°C

| IGMW 005 WS

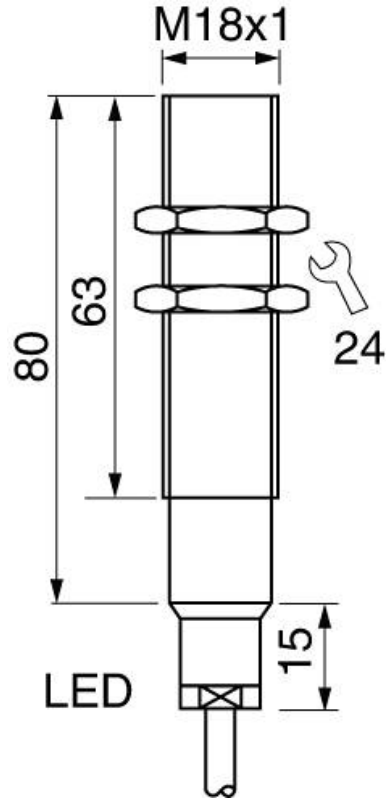
- For use at temperatures up to 120°C
- Climatic proofed Water-tight and resistant to high pressure cleaning
- Particularly resistant to steam
- For use in cleaning processes
- For use in cooking processes



M18x1 - sn 5 mm flush - Output 2-wire AC NO

TYPE	IGMW 005 WS
Product ID	P31356
Thread/sleeve	M18x1
Operating Distance sn	5 mm flush
Output function	relay
Supply voltage	20...250 VAC
Current consumption max.	2.5 mA
Switching current max.	400 mA
Voltage drop max.	5 V
Minimum load current	5 mA
Switching frequency	25 Hz
Ambient temperature	-25 ... 120 °C
EMC-class	A
Material housing	stainless steel AISI 316 Ti, stainless steel, PTFE
Material thread	stainless steel AISI 316 Ti (A4)
Material cap	PTFE
Protection [EN 60529]	IP 68 + IP 69K
Electrical connection	2 m FEP-cable 3x0.75 mm ²

Technical Image



Pin Map

