

# Specially sealed sensors - climatic proofed for use in a temperature range up to 120°C | IGMW 010 WS

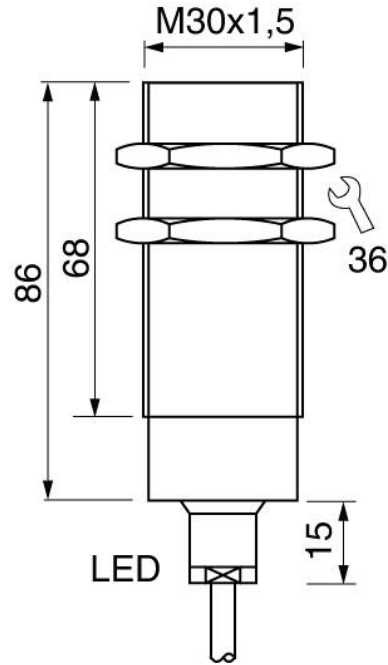
- For use at temperatures up to 120°C
- Climatic proofed Water-tight and resistant to high pressure cleaning
- Particularly resistant to steam
- For use in cleaning processes
- For use in cooking processes



**M30x1.5 - sn 10 mm flush - Output 2-wire AC NO**

<b>TYPE</b>	IGMW 010 WS
<b>Product ID</b>	P31358
<b>Thread/sleeve</b>	M30x1,5
<b>Operating Distance sn</b>	10 mm flush
<b>Output function</b>	relay
<b>Supply voltage</b>	20...250 VAC
<b>Current consumption max.</b>	2.5 mA
<b>Switching current max.</b>	400 mA
<b>Voltage drop max.</b>	5 V
<b>Minimum load current</b>	5 mA
<b>Switching frequency</b>	25 Hz
<b>Ambient temperature</b>	-25 ... 120 °C
<b>EMC-class</b>	A
<b>Material housing</b>	stainless steel AISI 316 Ti, stainless steel, PTFE
<b>Material thread</b>	stainless steel AISI 316 Ti (A4)
<b>Material cap</b>	PTFE
<b>Protection [EN 60529]</b>	IP 68 + IP 69K
<b>Electrical connection</b>	2 m FEP-cable 3x0.75 mm <sup>2</sup>

Technical Image



Pin Map

