

Specially sealed sensors - climatic proofed for use in a temperature range up to 120°C | IGMW 015 WS

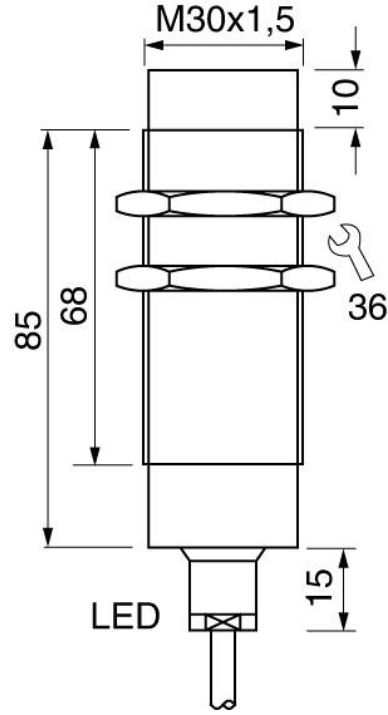
- For use at temperatures up to 120°C
- Climatic proofed Water-tight and resistant to high pressure cleaning
- Particularly resistant to steam
- For use in cleaning processes
- For use in cooking processes



**M30x1.5 - sn 15 mm non flush - Output 2-wire
AC NO**

TYPE	IGMW 015 WS
Product ID	P31359
Thread/sleeve	M30x1,5
Operating Distance sn	15 mm non-flush
Output	switching output
Output function	relay
Supply voltage	20...250 VAC
Current consumption max.	2.5 mA
Switching current max.	400 mA
Voltage drop max.	5 V
Minimum load current	5 mA
Switching frequency	25 Hz
Ambient temperature	-25 ... 120 °C
EMC-class	A
Material housing	stainless steel AISI 316 Ti, stainless steel, PTFE
Material thread	stainless steel AISI 316 Ti (A4)
Material cap	PTFE
Protection [EN 60529]	IP 68 + IP 69K
Electrical connection	2 m FEP-cable 3x0.75 mm ²

Technical Image



Pin Map

