

Specially sealed sensors - climatic proofed for use in a temperature range up to 120°C | IGMW 010 WO

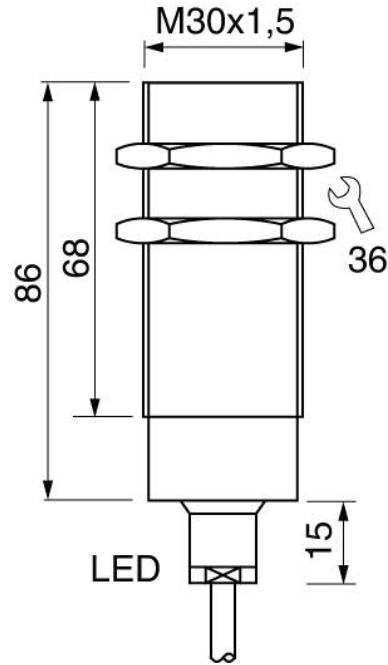
- For use at temperatures up to 120°C
- Climatic proofed Water-tight and resistant to high pressure cleaning
- Particularly resistant to steam
- For use in cleaning processes
- For use in cooking processes



M30x1.5 - sn 10 mm flush - Output 2-wire AC NC

TYPE	IGMW 010 WO
Product ID	P31362
Thread/sleeve	M30x1,5
Operating Distance sn	10 mm flush
Output	switching output
Output function	relay NC
Supply voltage	20...250 VAC
Current consumption max.	2.5 mA
Switching current max.	400 mA
Voltage drop max.	5 V
Minimum load current	5 mA
Switching frequency	25 Hz
Ambient temperature	-25 ... 120 °C
EMC-class	A
Material housing	stainless steel AISI 316 Ti, stainless steel, PTFE
Material thread	stainless steel AISI 316 Ti (A4)
Material cap	PTFE
Protection [EN 60529]	IP 68 + IP 69K
Electrical connection	2 m FEP-cable 3x0.75 mm ²

Technical Image



Pin Map

