

Offshore sensors for use under water | IGVO 10 GSP

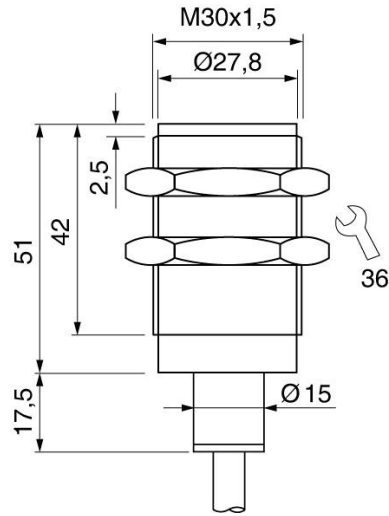
- With one-piece stainless steel sleeve for particular resistance to mechanical stress
- Pressure-resistant up to 300 m water depth
- With longitudinally watertight anti-leak cable for the reliable continuous use under water
- For use in offshore plant
- For use under particularly heavy mechanical stress



M30x1.5 - sn 10 mm flush - Output PNP NO

TYPE	IGVO 10 GSP
Product ID	P31366
Thread/sleeve	M30x1,5
Operating Distance sn	10 mm flush
Output	switching output
Output function	PNP-NO
Supply voltage	10 ... 30 VDC
Current consumption max.	5 mA
Switching current max.	250 mA
Short circuit proof	yes
Reverse polarity protection	✓
Switching frequency	150 Hz
Ambient temperature	-25 ... 70 °C
EMC-class	A
Material housing	stainless steel AISI 316 L
Material thread	stainless steel AISI 316 L
Material cap	stainless steel AISI 316 L
Seal material	FKM
Protection [EN 60529]	IP 68 + IP 69K
Electrical connection	1 m longitudinal water blocked PLWDC-cable 3x0,5 mm ²

Technical Image



Pin Map

