

Sensors for zone 2/22 with integrated electronics | IGEX22c 08 GSP

- Ex area of use: Zone 2 and Zone 22
- IECEx-certification / ATEX-certificate of conformity
- External amplifier not required as no intrinsically safe supply necessary
- Explosion protection realized by type of protection "increased safety" and "protection by enclosure"
- Installation and commissioning in accordance with EN 60079-14

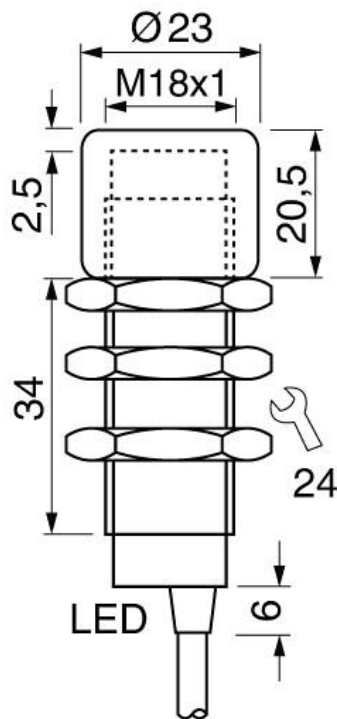


M18x1 - sn 8 mm non flush - Output PNP-NO

TYPE	IGEX22c 08 GSP
Product ID	P31394
Thread/sleeve	M18x1
Operating Distance sn	8 mm non-flush
Output	switching output
Output function	PNP-NO
Supply voltage	24 VDC +/- 10%
Switching current max.	100 mA
Rated voltage max.	30 VDC
Switching frequency	300 Hz
Ex area of use	Zone 2, Zone 22
IECEx Certificate	IECEx EPS 17.0042X
UKEX Certificate	EPS 22 UKEX 1 270 X
Certificate of conformity	EPS 17 ATEX 1 085 X
ATEX marking gas	Ex II 3G Ex ec IIC T6...T3 Gc
ATEX Marking dust	Ex II 3D Ex tc IIIC T75°C Dc
IECEx marking gas	Ex ec IIC T6...T3 Gc
IECEx marking dust	Ex tc IIIC T75°C Dc
Ambient temperature gas T6 in zone 2	-20 ... 60 °C
Ambient temperature gas T5 in zone 2	-20 ... 60 °C

Ambient temperature gas T4 in zone 2	-20 ... 60 °C
Ambient temperature gas T3 in zone 2	-20 ... 60 °C
Ambient temperature dust in zone 22	-20 ... 60 °C
Material housing	brass-Ni, PA, POM
Display	LED yellow
Protection [EN 60529]	IP 67
Protective cap	x
Electrical connection	2 m PUR-cable 3x0,34 mm ²
Note	with longer cable available on request

Technical Image



Pin Map

