

Intrinsically safe sensors for zone 0/20 |

IGEXUa 04

- Intrinsically safe sensors for zone 0/20
- With ATEX-and IECEx-certification
- Amplifier IKMb... is required for operation
- Connection: M12 connector

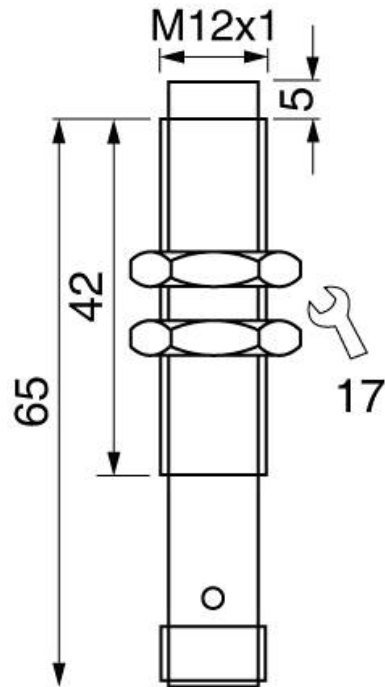


M12x1 - sn 4 mm non flush

| | |
|--|--|
| TYPE | IGEXUa 04 |
| Product ID | P31413 |
| Thread/sleeve | M12x1 |
| Operating Distance sn | 4 mm non-flush |
| Ex area of use | Zone 0, Zone 1, Zone 20, Zone 21 |
| ATEX Certificate | EPS 17 ATEX 1 173 X |
| IECEx Certificate | IECEx EPS 17.0087X |
| UKEX Certificate | EPS 22 UKEX 1 139 X |
| ATEX marking gas | Ex II 1G Ex ia IIC T6...T3 Ga |
| ATEX Marking dust | Ex II 1D Ex ia IIIC T ₂₀₀ 80 °C Da |
| IECEx marking gas | Ex ia IIC T6...T3 Ga |
| IECEx marking dust | Ex ia IIIC T ₂₀₀ 80 °C Da |
| Maximum values | U _i = 12.6 V / I _i = 15.9 mA / P _i = 50 mW / C _i = 66.2 nF / L _i = 1.2 mH |
| Ambient temperature gas zone 0 T6 | -25 ... 75 °C |
| Ambient temperature gas zone 0 T5 | -25 ... 75 °C |
| Ambient temperature gas zone 0 T4 | -25 ... 75 °C |
| Ambient temperature gas zone 0 T3 | -25 ... 75 °C |
| Ambient temperature dust in zone 20 | -25 ... 75 °C |

| | |
|------------------------------|---------------|
| Material housing | brass-Ni, PA |
| Protection [EN 60529] | IP 67 |
| Electrical connection | M12 connector |

Technical Image



Pin Map

