

Intrinsically safe sensors for zone 0/20 | IGEXUa 08

- Intrinsically safe sensors for zone 0/20
- With ATEX- and IECEx-certification
- Amplifier IKMb... is required for operation
- Connection: M12 connector

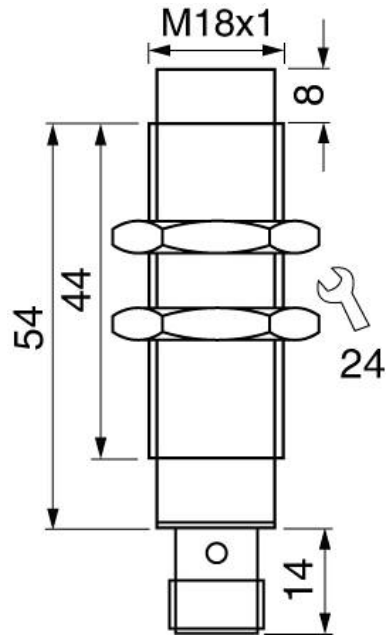


M18x1 - sn 8 mm non flush

TYPE	IGEXUa 08
Product ID	P31415
Thread/sleeve	M18x1
Operating Distance sn	8 mm non-flush
Ex area of use	Zone 0, Zone 1, Zone 20, Zone 21
ATEX Certificate	EPS 17 ATEX 1 173 X
IECEx Certificate	IECEx EPS 17.0087X
UKEX Certificate	EPS 22 UKEX 1 139 X
ATEX marking gas	Ex II 1G Ex ia IIC T6...T3 Ga
ATEX Marking dust	Ex II 1D Ex ia IIIC T ₂₀₀ 80 °C Da
IECEx marking gas	Ex ia IIC T6...T3 Ga
IECEx marking dust	Ex ia IIIC T ₂₀₀ 80 °C Da
Maximum values	U _i = 12.6 V / I _i = 15.9 mA / P _i = 50 mW / C _i = 66.2 nF / L _i = 1.2 mH
Ambient temperature gas zone 0 T6	-25 ... 75 °C
Ambient temperature gas zone 0 T5	-25 ... 75 °C
Ambient temperature gas zone 0 T4	-25 ... 75 °C
Ambient temperature gas zone 0 T3	-25 ... 75 °C
Ambient temperature dust in zone 20	-25 ... 75 °C

Material housing	brass-Ni, PA
Protection [EN 60529]	IP 67
Electrical connection	M12 connector

Technical Image



Pin Map

