

# Analysis devices for inductive Ex sensors |

## IKMb 122 Ex-230

- For the connection of intrinsically safe sensors
- For top hat rail mounting in a switch cabinet in a non-explosive area

### 230 VAC - relay / changeover

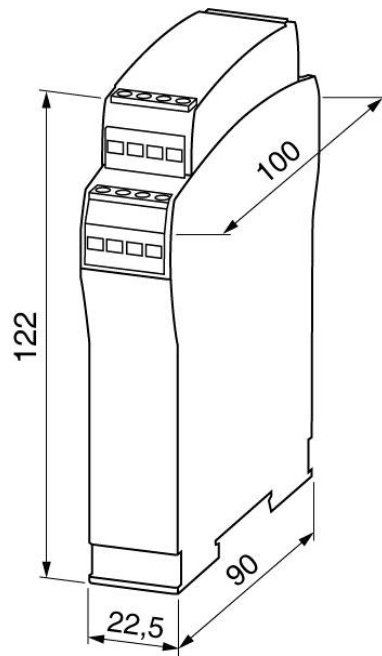


<b>TYPE</b>	IKMb 122 Ex-230
<b>Product ID</b>	P31419
<b>Output</b>	switching output
<b>Output function</b>	relay / change-over
<b>Supply voltage</b>	230 VAC +/- 10%
<b>Switching voltage max.</b>	250 VAC / 60 VDC / 24 VDC
<b>Switching current max.</b>	4 A AC / 0,8 A DC / 4 A DC
<b>Switching Load</b>	$\cos \phi > 0,7$ / $L/R \leq 200$ ms / $L/R \leq 200$ ms
<b>Rated voltage</b>	253 VAC
<b>ATEX Certificate</b>	EPS 17 ATEX 1 091
<b>IECEX Certificate</b>	IECEX EPS 17.0047
<b>ATEX marking gas</b>	Ex II (1) G [Ex ia Ga] IIC
<b>ATEX Marking dust</b>	Ex II (1) D [Ex ia Da] IIIC
<b>IECEX marking gas</b>	[Ex ia Ga] IIC
<b>IECEX marking dust</b>	[Ex ia Da] IIIC
<b>Maximum values</b>	$U_0 = 9.6$ V / $I_0 = 10.1$ mA / $P_0 = 24.2$ mW / $C_0 = 0.84$ $\mu$ F / $L_0 = 5.00$ mH
<b>Ambient temperature</b>	-20 ... 60 °C
<b>Display</b>	LED Power: green / switching output: yellow / cable break: red
<b>Protection [EN 60529]</b>	IP 20
<b>Electrical connection</b>	terminal screws

**Note**

area of use: only outside of the hazardous areas (gas or dust)

Technical Image



Pin Map

