

## Sensors for zone 2/22 with integrated electronics | IGVEX22c 05 GSP-K

- Ex area of use: Zone 2 and Zone 22
- One piece stainless steel housing
- IECEx-certification / ATEX certificate of conformity
- External amplifier not required as no intrinsically safe supply necessary
- Explosion protection realized by type of protection "increased safety" and "protection by enclosure"
- Installation and commissioning in accordance with EN 60079-14

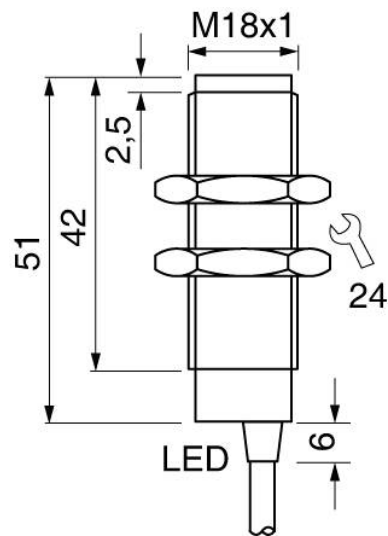


### M18x1 - sn 5 mm flush - Output PNP-NO - with silicone-cable

<b>TYPE</b>	IGVEX22c 05 GSP-K
<b>Product ID</b>	P31422
<b>Thread/sleeve</b>	M18x1
<b>Operating Distance sn</b>	5 mm
<b>Output</b>	switching output
<b>Output function</b>	PNP-NO
<b>Supply voltage</b>	24 VDC +/- 10%
<b>Switching current max.</b>	100 mA
<b>Rated voltage max.</b>	30 VDC
<b>Switching frequency</b>	180 Hz
<b>Ex area of use</b>	Zone 2, Zone 22
<b>IECEx Certificate</b>	IECEx EPS 17.0042X
<b>UKEX Certificate</b>	EPS 22 UKEX 1 270 X
<b>Certificate of conformity</b>	EPS 17 ATEX 1 085 X
<b>ATEX marking gas</b>	Ex II 3G Ex ec IIC T6...T3 Gc
<b>ATEX Marking dust</b>	Ex II 3D Ex tc IIIC T80°C Dc
<b>IECEx marking gas</b>	Ex ec IIC T6...T3 Gc
<b>IECEx marking dust</b>	Ex tc IIIC T80°C Dc
<b>Ambient temperature and medium temperature T6 in zone 2</b>	-20 ... 60 °C

<b>Ambient temperature and medium temperature T5 in zone 2</b>	-20 ... 60 °C
<b>Ambient temperature and medium temperature T4 in zone 2</b>	-20 ... 60 °C
<b>Ambient temperature and medium temperature T3 in zone 2</b>	-20 ... 60 °C
<b>Ambient temperature and medium temperature dust zone 22</b>	-20 ... 60 °C
<b>Material housing</b>	stainless steel AISI 316 L, PA
<b>Display</b>	LED yellow
<b>Protection [EN 60529]</b>	IP 67
<b>Electrical connection</b>	2 m silicone-cable 3x0.34 mm <sup>2</sup>

Technical Image



Pin Map

