

# Specially sealed sensors - climatic proofed for use in a temperature range up to 120°C | IGMW 005 GSP

- For use at temperatures up to 120°C
- Climatic proofed Water-tight and resistant to high pressure cleaning
- Particularly resistant to steam
- For use in cleaning processes
- For use in cooking processes



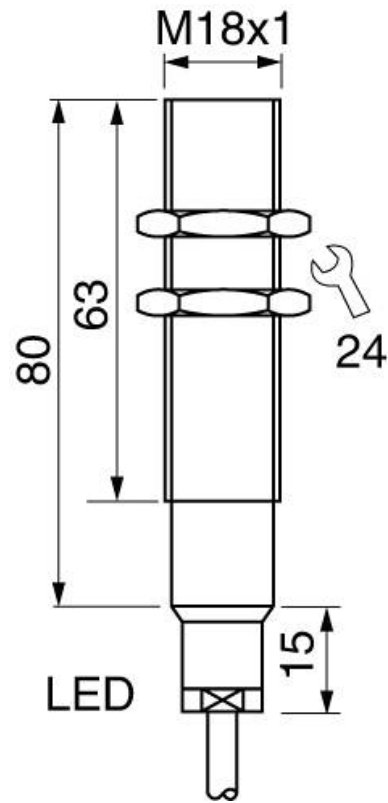
**M18x1 - sn 5 mm flush - Output PNP NO**

|                                 |  |
|---------------------------------|--|
| <b>TYPE</b>                     | IGMW 005 GSP                                       |
| <b>Product ID</b>               | P31432   |
| <b>Thread/sleeve</b>            | M18x1  |
| <b>Operating Distance sn</b>    | 5 mm flush   |
| <b>Output</b>                   | switching output                                   |
| <b>Output function</b>          | PNP-NO   |
| <b>Supply voltage</b>           | 10...30 VDC  |
| <b>Current consumption max.</b> | 4 mA   |
| <b>Residual current</b>         | 1  |
| <b>Switching current max.</b>   | 200 mA   |
| <b>Overcurrent release</b>      | 230 mA   |
| <b>Voltage drop max.</b>        | 2 V  |
| <b>Switching frequency</b>      | 1000 Hz  |
| <b>Ambient temperature</b>      | -25 ... 120 °C                                     |
| <b>EMC-class</b>                | A  |
| <b>Material housing</b>         | stainless steel AISI 316 Ti, stainless steel, PTFE |
| <b>Material thread</b>          | stainless steel AISI 316 Ti (A4)                   |
| <b>Material cap</b>             | PTFE   |
| <b>Protection [EN 60529]</b>    | IP 68 + IP 69K                                     |

Electrical connection

2 m FEP-cable 3x0.34 mm<sup>2</sup>

Technical Image



Pin Map

