

Analysis devices for inductive Ex sensors |

IKMb 123 Ex-24

- For the connection of intrinsically safe sensors
- For top hat rail mounting in a switch cabinet in a non-explosive area
- **24 VDC - relay / changeover**

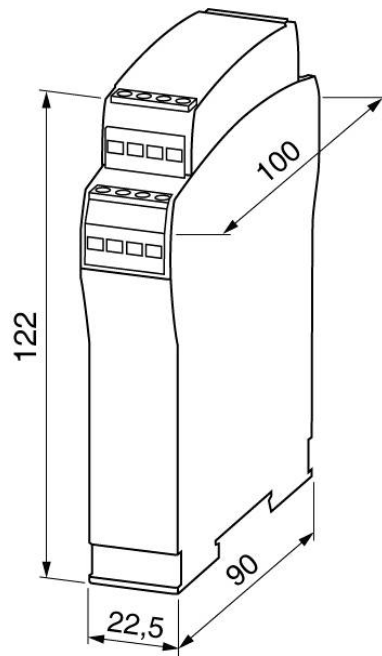


TYPE	IKMb 123 Ex-24
Product ID	P31451
Output	switching output
Output function	relay / change-over
Supply voltage	24 VDC +/- 10 %
Switching voltage max.	250 VAC / 60 VDC / 24 VDC
Switching current max.	4 A AC / 0,8 A DC / 4 A DC
Switching Load	$\cos \phi > 0,7$ / $L/R \leq 200$ ms / $L/R \leq 200$ ms
Rated voltage	30 VDC
ATEX Certificate	EPS 17 ATEX 1 091
IECEX Certificate	IECEX EPS 17.0047
ATEX marking gas	Ex II (1) G [Ex ia Ga] IIC
ATEX Marking dust	Ex II (1) D [Ex ia Da] IIIC
IECEX marking gas	[Ex ia Ga] IIC
IECEX marking dust	[Ex ia Da] IIIC
Maximum values	$U_0 = 9.6$ V / $I_0 = 50.5$ mA / $P_0 = 121.3$ mW / $C_0 = 0.68$ μ F / $L_0 = 5.00$ mH
Ambient temperature	-20 ... 60 °C
Display	LED Power: green / switching output: yellow / cable break: red
Protection [EN 60529]	IP 20
Electrical connection	terminal screws

Note

area of use: only outside of the hazardous areas (gas or dust)

Technical Image



Pin Map

