

Analysis devices for inductive Ex sensors |

IKMb 123 Ex-115

- For the connection of intrinsically safe sensors
- For top hat rail mounting in a switch cabinet in a non-explosive area

115 VAC - relay / changeover

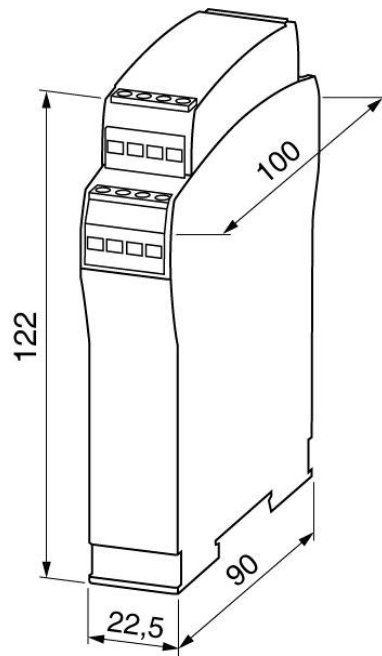


| | |
|-------------------------------|---|
| TYPE | IKMb 123 Ex-115 |
| Product ID | P31453 |
| Output | switching output |
| Output function | relay / change-over |
| Supply voltage | 115 VAC +/- 10 % |
| Switching voltage max. | 250 VAC / 60 VDC / 24 VDC |
| Switching current max. | 4 A AC / 0,8 A DC / 4 A DC |
| Switching Load | $\cos \phi > 0,7$ / $L/R \leq 200$ ms / $L/R \leq 200$ ms |
| Rated voltage | 127 VAC |
| ATEX Certificate | EPS 17 ATEX 1 091 |
| IECEX Certificate | IECEX EPS 17.0047 |
| ATEX marking gas | Ex II (1) G [Ex ia Ga] IIC |
| ATEX Marking dust | Ex II (1) D [Ex ia Da] IIIC |
| IECEX marking gas | [Ex ia Ga] IIC |
| IECEX marking dust | [Ex ia Da] IIIC |
| Maximum values | $U_0 = 9.6$ V / $I_0 = 50.5$ mA / $P_0 = 121.3$ mW / $C_0 = 0.68$ μ F / $L_0 = 5.00$ mH |
| Ambient temperature | -20 ... 60 °C |
| Display | LED Power: green / switching output: yellow / cable break: red |
| Protection [EN 60529] | IP 20 |
| Electrical connection | terminal screws |

Note

area of use: only outside of the hazardous areas (gas or dust)

Technical Image



Pin Map

