

KGMT 05 S-200

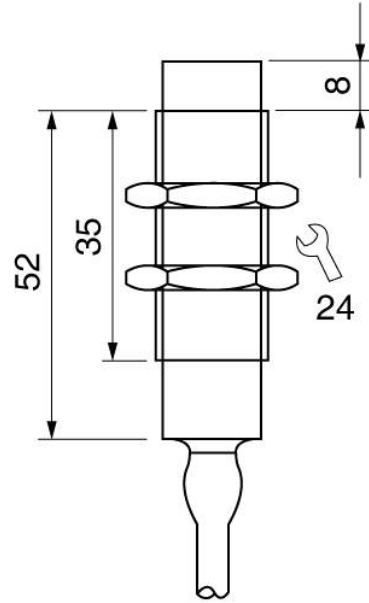
- Capacitive proximity switches
- For the detection of non-metallic and metallic objects
- For use at temperatures from -40 C°...+200° C
- Rugged materials: stainless steel and PTFE
- For counting, position queries of parts or products, for example in furnace technology, chemical industry or plastics processing



M18x1 - sn 5 mm non flush

| | |
|---|--|
| TYPE | KGMT 05 S-200 |
| Product ID | P41301 |
| Thread/sleeve | M 18x1 |
| Operating Distance sn | 5 mm non-flush |
| Hysteresis max. | 10 % |
| Ambient temperature | -40 ... 200 °C |
| Cable temperature | -40 ..200 °C |
| Compressive strength (at 25°C) | 2 bar |
| Material housing | stainless steel AISI 316 Ti, PTFE |
| Protection [EN 60529] | IP 67 |
| Protection [EN 60529] LEM connection | IP 54 |
| Electrical connection | 2 m PTFE cable with LEM 01-plug system |
| Switching amplifier | KK 030... KU 120... |

Technical Image



Pin Map

