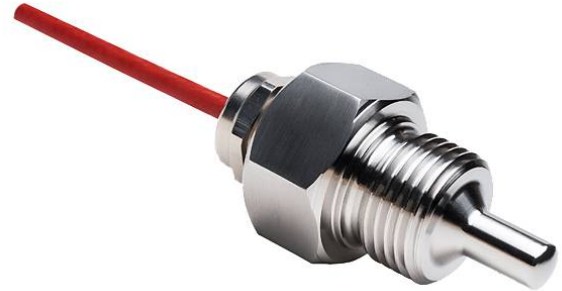


Sensors without integrated amplifier | STK 421 KH-A4

- Screw-in sensor series STK 400 for flow measurement, monitoring or detection
- Corrosion-proof stainless steel housing
- Cable or connector design
- Assemble in T-piece or welding sleeve for flow monitoring in confined spaces
- For connection to an amplifier with analogue or switching output



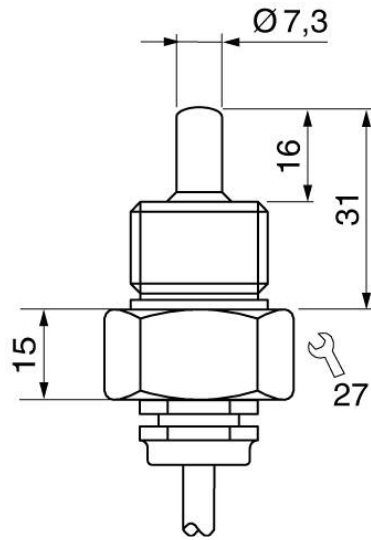
G1/2 - sensor length 31 mm - FEP-Kabel

TYPE	STK 421 KH-A4
Product ID	P10436
Medium	Water, oil
Detection range water	1 ... 150 cm/s
Detection range Oil	3 ... 300 cm/s
Process connection	G1/2
Sensor length L	31 mm
Ambient temperature	10 ... 120 °C
Medium temperature	10 ... 120 °C
Temperature gradient fluids	250 K/min
Start-up time typ.	8 s (2 ... 15 s)
Reaction time typ.	2 s (1 ... 13 s)
Compressive strength	100 bar
Material sensor touched by medium	stainless steel AISI 316 Ti
Material housing	stainless steel AISI 316 Ti, brass
Protection [EN 60529]	IP 68
Electrical connection	2 m FEP-cable 4x0.25 mm ²
Accessories (in scope of delivery)	2 x gasket G1/2 AFM 34
Associated amplifiers	SKM 420 GR, SKM 420 GSP, SKM 420 GA, SKM 522 GR, SKM 522 WR, SKZ 400 GR, SKZ 400 WR-115, SKZ 400 WR

Note

probe with longer cable available on request

Technical Image



Pin Map

Messfühler Probe	3 BU	8	SKZ 400
	1 BN	7	
	2 WH	6	
	4 BK	5	

Messfühler Probe	4 BK	4	SKM 420
	3 BU	3	
	2 WH	2	
	1 BN	1	

Messfühler Probe	4 BK	4	SKM 522
	3 BU	3	
	2 WH	2	
	1 BN	1	