

Amplifiers for flow sensors | SKM 420 GR

- Amplifier series 400 for flow sensors
- Indication of the flow rate via LED strip
- Switching or analogue output
- To activate and deactivate fans and warning devices
- To signal flow failures
- For trend detection during flow changes

24 VDC - output relay



TYPE	SKM 420 GR
Product ID	P10530
Output	switching output
Output function	relay NO
Supply voltage	24 VDC +/- 20 %
Switching voltage max.	230 VAC / 30 VDC
Switching current max.	1 A AC / 1 A DC
Switching power max.	125 VA
Reverse polarity protection	✓
Ambient temperature	-20 ... 60 °C
Protection [EN 60529] terminal	IP 20
Protection [EN 60529] housing	IP 40
Electrical connection	terminal screws

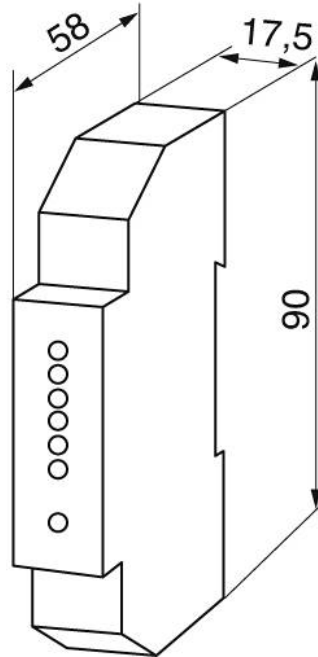
Accessories (in scope of delivery)

screwdriver

Amplifier for probe

STA..., STB..., STC..., STD..., STK..., ST... (none Ex)

Technical Image



Pin Map

