

Air flow sensors without amplifier for explosive areas | STS 212 K

- G1/2 screw-in sensor for flow monitoring in gaseous media
- ATEX approval for operation in Zone 0 and Zone 20
- ATEX approval for operation in Ex separation wall Zone 0/1
- Medium temperature up to 85 °C
- Corrosion-proof stainless steel housing AISI 316 Ti
- Immersion depth 65 mm
- 2 m fixed cable PUR
- Installation in T-piece or welding sleeve
- Needs ATEX certified amplifier with analogue or switching output
- Observe special conditions for safe use

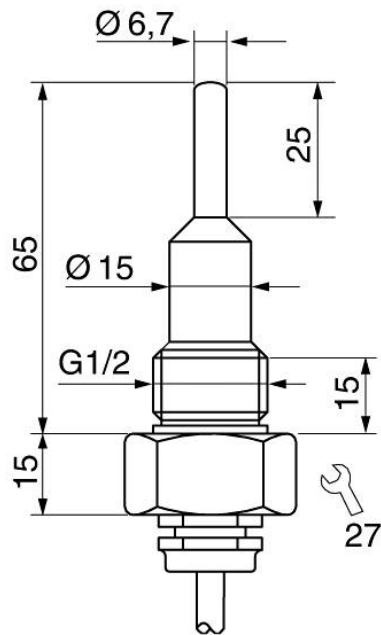


G1/2 - sensor length 65 mm - Ex-Zone 0/20 - PUR-cable

TYPE	STS 212 K
Product ID	P11152
Medium	air
Detection range air	2 ... 25 m/s
Process connection	G1/2
Sensor length L	65 mm
Output	output with separate Amplifier
Ex area of use	installation in partition wall Zone 0/1, Zone 0, Zone 20
ATEX Certificate	TÜV 98 ATEX 1298 X
Marking gas Ex for partition wall mounting	Ex II 1/2 G Ex ia IIC T4...T3 Ga/Gb
ATEX marking gas	Ex II 1 G Ex ia IIC T4...T3 Ga
ATEX Marking dust	Ex II 1 D Ex ia IIIC T145°C Da
Maximum values	U _i = 13.65 V / I _i = 200 mA / P _i = 0.69 W / C _i = 0.45 nF / L _i = 1.80 µH
Temperature range in T4	-20 ... 70 °C
Temperature range in T3	-20 ... 85 °C

Temperature range dust-Ex	-20 ... 85 °C
Start-up time typ.	10 ... 40 s
Reaction time typ.	5 s (2 ... 30 s)
Compressive strength	10 bar
Material sensor touched by medium	stainless steel AISI 316 Ti
Material housing	stainless steel AISI 316 Ti, brass
Protection [EN 60529]	IP 67
Electrical connection	2 m PUR-cable, 4x0.25 mm ²
Accessories (in scope of delivery)	2 x gasket G1/2 AFM 34
Associated amplifiers	SZAb 400 EX-GR, SZAb 400 EX-WR115, SZAb 400 EX-WR230, SZAb 400 EX-GA
Note	probe with longer cable available on request

Technical Image



Pin Map

