

## Sensors for explosive areas without amplifier for liquid media | ST 101 KH

- G1/4 screw-in sensor for flow monitoring in liquid media
- ATEX approval for operation in Zone 1 and Zone 21
- Medium temperature up to 120 °C
- Corrosion-proof stainless steel housing AISI 316 Ti
- Immersion depth 25 mm
- 2 m fixed cable FEP
- Installation in T-piece or welding sleeve
- Needs ATEX certified amplifier with analogue or switching output



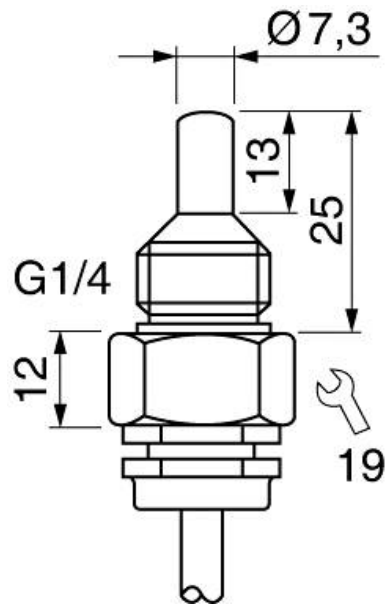
**G1/4 - sensor length 25 mm - Ex-Zone 1/21 - extended tempe 120° - FEP-cable**

|                                  |  |
|----------------------------------|--|
| <b>TYPE</b>                      | ST 101 KH  |
| <b>Product ID</b>                | P11176   |
| <b>Medium</b>                    | Water, oil   |
| <b>Detection range water</b>     | 1 ... 100 cm/s   |
| <b>Detection range Oil</b>       | 3 ... 200 cm/s   |
| <b>Process connection</b>        | G1/4   |
| <b>Sensor length L</b>           | 25 mm  |
| <b>Output</b>                    | output with separate Amplifier   |
| <b>Ex area of use</b>            | Zone 1, Zone 21  |
| <b>ATEX Certificate</b>          | TÜV 97 ATEX 1218   |
| <b>ATEX marking gas</b>          | Ex II 2 G Ex ib IIC T6...T3 Gb   |
| <b>ATEX Marking dust</b>         | Ex II 2 D Ex ib IIIC T125°C Db   |
| <b>Maximum values</b>            | $U_i = 13.65 \text{ V} / I_i = 200 \text{ mA} / P_i = 0.69 \text{ W} / C_i = 0.45 \text{ nF} / L_i = 1.80 \text{ }\mu\text{H}$ |
| <b>Temperature range in T6</b>   | 10 ... 40 °C   |
| <b>Temperature range in T5</b>   | 10 ... 55 °C   |
| <b>Temperature range in T4</b>   | 10 ... 90 °C   |
| <b>Temperature range in T3</b>   | 10 ... 120 °C  |
| <b>Temperature range dust-Ex</b> | -20 ... 85 °C  |
| <b>Start-up time typ.</b>        | 8 s (2 ... 18 s)   |

|   |  |
|---|--|
| <b>Reaction time typ.</b>                 | 2 s (1 ... 13 s)   |
| <b>Compressive strength</b>               | 60 bar   |
| <b>Material sensor touched by medium</b>  | stainless steel AISI 316 Ti  |
| <b>Material housing</b>                   | stainless steel AISI 316 Ti, brass                                   |
| <b>Protection [EN 60529]</b>              | IP 67  |
| <b>Electrical connection</b>              | 2 m FEP-cable 4x0.25 mm <sup>2</sup>                                 |
| <b>Accessories (in scope of delivery)</b> | 2 x gasket G1/4 AFM 34   |
| <b>Associated amplifiers</b>              | SZAb 400 EX-GR, SZAb 400 EX-WR115, SZAb 400 EX-WR230, SZAb 400 EX-GA |

**Note** probe with longer cable available on request

Technical Image



Pin Map

