

Flow rate sensors for fluid media with an end value of 1...10 l/min | SDN 552/1 GAPP

- 7 segment flow rate indication
- Analog output and switching output PNP NO / NC
- Working range 1...10 l/min
- Flow and temperature monitoring of water

1...10 l/min - 1x PNP programmable + 1x 4...20 mA

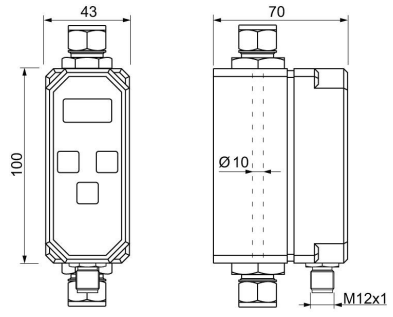


TYPE	SDN 552/1 GAPP
Product ID	P11296
Medium	Water, water/glycol
Detection range water	1 ... 10 l/min
Detection range water/glycol	1 ... 10 l/min
Temperature monitoring	-10 ... 90 °C
Inner diameter d	9.5 mm
Outer Diameter Pipe mm	10 mm
Process connection	tube fittings for steel tubes accord. to ISO 3304 / DIN 2391
Output	analog output 4...20 mA, switching output
Output function	PNP-NO / NC
Supply voltage	24 VDC +/- 10 %
Current consumption max.	100 mA
Load RL	200 ... 500 Ω
Reverse polarity protection	✓
Ambient temperature	0 ... 80 °C
Medium temperature	-10 ... 90 °C
Reaction time typ.	1 ... 8 s
Programmable functions	switching point, hysteresis, switch on delay, time on/off delay, glycol percentage, adjustable to reference, averaging, access code, NC/NO
Compressive strength	20 bar

Material sensor touched by medium	stainless steel AISI 316 Ti, FPM
Material housing	PBT
Display	7-segment / 3 digits
Protection [EN 60529]	IP 65
Electrical connection	M12 connector

Accessories mounting plate, adapter SDA G1/2-Ø-18-L068 (Z01176), adapter SDA G1/4-Ø-10-L050 (Z01175)

Technical Image



Pin Map

