

## Flow rate sensors for fluid media with an end value of 1...10 l/min | SDN 554/1 GPP

- 7 segment flow rate indication
- 2 x switching output PNP NO / NC
- Working range 1...10 l/min
- Flow and temperature monitoring of water and water-glycol mixtures

### 1...10 l/min - 4x PNP programmable

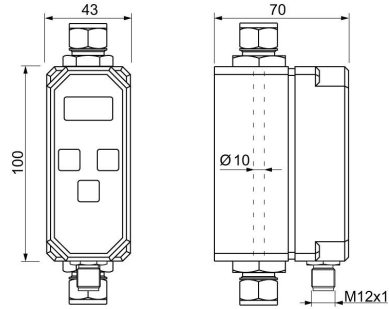


<b>TYPE</b>	SDN 554/1 GPP
<b>Product ID</b>	P11313
<b>Medium</b>	Water, water/glycol
<b>Detection range water</b>	1 ... 10 l/min
<b>Detection range water/glycol</b>	1 ... 10 l/min
<b>Temperature monitoring</b>	-10 ... 90 °C
<b>Inner diameter d</b>	9.5 mm
<b>Outer Diameter Pipe mm</b>	10 mm
<b>Process connection</b>	tube fittings for steel tubes accord. to ISO 3304 / DIN 2391
<b>Output</b>	2 switching outputs each for flow and temperature
<b>Output function</b>	PNP-NO
<b>Supply voltage</b>	24 VDC +/- 10 %
<b>Current consumption max.</b>	100 mA
<b>Switching current max.</b>	200 mA (20 °C)
<b>Reverse polarity protection</b>	✓
<b>Ambient temperature</b>	0 ... 60 °C
<b>Medium temperature</b>	-10 ... 90 °C
<b>Reaction time typ.</b>	1 ... 8 s
<b>Programmable functions</b>	switching point, display flow/temperature, hysteresis, switch on delay, four switching points, time on/off delay, glycol percentage, adjustable to reference, averaging, access code, NC/NO
<b>Compressive strength</b>	20 bar

<b>Material sensor touched by medium</b>	stainless steel AISI 316 Ti, FPM
<b>Material housing</b>	PBT
<b>Display</b>	7-segment / 3 digits
<b>Protection [EN 60529]</b>	IP 65
<b>Electrical connection</b>	M12 connector

**Accessories** mounting plate, adapter SDA G1/2-Ø-18-L068 (Z01176), adapter SDA G1/4-Ø-10-L050 (Z01175)

Technical Image



Pin Map

