

# Flow rate sensors for fluid media with an end value of 10...100 l/min | SDN 552/3 GAA

- 7 segment flow rate indication
- 2 x analog output
- Working range 4...40 l/min
- Flow and temperature monitoring of water and water-glycol mixtures

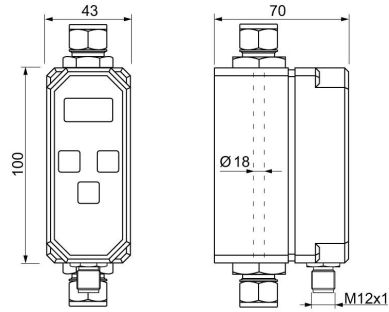
**4...40 l/min - 2x 4...20 mA**



<b>TYPE</b>	SDN 552/3 GAA
<b>Product ID</b>	P11318
<b>Medium</b>	Water, Water, water/glycol
<b>Detection range water</b>	4 ... 40 l/min
<b>Detection range water/glycol</b>	4 ... 40 l/min
<b>Temperature monitoring</b>	-10 ... 90 °C
<b>Inner diameter d</b>	15 mm
<b>Outer Diameter Pipe mm</b>	18 mm
<b>Process connection</b>	tube fittings for steel tubes accord. to ISO 3304 / DIN 2391
<b>Output</b>	2 x analog output 4...20 mA
<b>Supply voltage</b>	24 VDC +/- 10 %
<b>Current consumption max.</b>	100 mA
<b>Load RL</b>	200 ... 500 Ω
<b>Reverse polarity protection</b>	✓
<b>Ambient temperature</b>	0 ... 60 °C
<b>Medium temperature</b>	-10 ... 90 °C
<b>Reaction time typ.</b>	1 ... 8 s
<b>Programmable functions</b>	analog range, display flow/temperature, glycol percentage, adjustable to reference, averaging, access code
<b>Compressive strength</b>	20 bar
<b>Material sensor touched by medium</b>	stainless steel AISI 316 Ti, FPM

<b>Material housing</b>	PBT
<b>Display</b>	7-segment / 3 digits
<b>Protection [EN 60529]</b>	IP 65
<b>Electrical connection</b>	M12 connector
<b>Accessories</b>	mounting plate, adapter SDA G1/2-Ø-18-L068 (Z01176), adapter SDA G1/4-Ø-10-L050 (Z01175)

Technical Image



Pin Map

