

## Flow rate sensors for fluid media with an end value of 10...100 l/min | SDI 852/1 GAPP

- Flow rate sensor with amplifier
- Magnetic-inductive measuring principle
- For conductive media Measuring range 40 l/min or 80 l/min
- Flow indication with bright red 3-digit 7 segment indication
- Set-up via buttons at the device

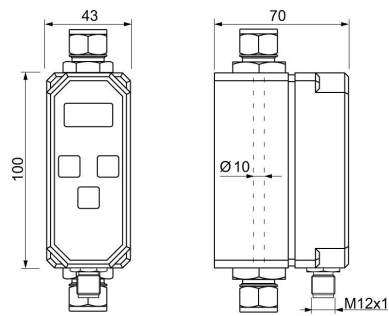
**0...40 l/min - 24 VDC - outputs PNP programmable and analog 4...20 mA**



<b>TYPE</b>	SDI 852/1 GAPP
<b>Product ID</b>	P11320
<b>Medium</b>	Water, Water, water/glycol, conductive media
<b>Working range electrically conductive media</b>	0 ... 40 l/min
<b>Inner diameter d</b>	8 mm
<b>Outer Diameter Pipe mm</b>	10 mm
<b>Process connection</b>	tube fittings for steel tubes accord. to ISO 3304 / DIN 2391
<b>Output</b>	analog output 4...20 mA, switching output
<b>Output function</b>	PNP-NO / NC
<b>Measurement error</b>	0...5,0 l/min $\leq$ 0,1 l/min, 5,1...40 l/min $\leq$ 2 % of measurement value *
<b>Supply voltage</b>	24 VDC +/- 10 %
<b>Current consumption max.</b>	100 mA
<b>Switching current max.</b>	200 mA (20 °C)
<b>Load RL</b>	200 ... 500 $\Omega$
<b>Reverse polarity protection</b>	✓
<b>Ambient temperature</b>	0 ... 60 °C
<b>Medium temperature</b>	5 ... 60 °C
<b>Medium conductivity</b>	$\geq$ 10 $\mu$ S / cm ( water $\geq$ 15 $\mu$ S / cm )
<b>Reaction time typ.</b>	5 ... 8 s
<b>Compressive strength</b>	10 bar

<b>Material sensor touched by medium</b>	stainless steel AISI 316 Ti, FPM, PVDF
<b>Material housing</b>	PBT
<b>Protection [EN 60529]</b>	IP 65
<b>Electrical connection</b>	M12 connector
<b>Accessories 1</b>	Montageplatte
<b>Accessories 2</b>	cable type SLG, SLW
<b>Accessories 3</b>	Übergangsadapter G 1/4
<b>Accessories 4</b>	Übergangsadapter G 1/2
<b>Note</b>	* reference conditions according to EN 29104

Technical Image



Pin Map

