

Flow rate sensors for fluid media with an end value of 10...100 l/min | SDI 852/2 GAPP

- Flow rate sensor with amplifier
- Magnetic-inductive measuring principle
- For conductive media Measuring range 40 l/min or 80 l/min
- Flow indication with bright red 3-digit 7 segment indication
- Set-up via buttons at the device

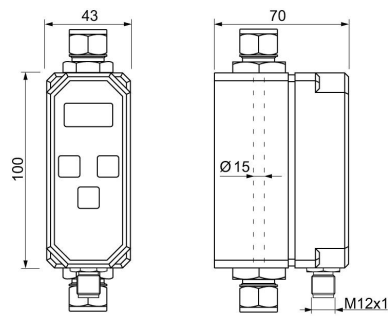
**0,2...80 l/min - 24 VDC - outputs PNP
programmable and analog 4...20 mA**



TYPE	SDI 852/2 GAPP
Product ID	P11321
Medium	Water, Water, water/glycol, conductive media
Working range electrically conductive media	0.2 ... 80 l/min
Inner diameter d	12 mm
Outer Diameter Pipe mm	15 mm
Process connection	tube fittings for steel tubes accord. to ISO 3304 / DIN 2391
Output	analog output 4...20 mA, switching output
Output function	PNP-NO / NC
Measurement error	0...10 l/min \leq 0,2 l/min, 10,1...80 l/min \leq 2 % of measurement value *
Supply voltage	24 VDC +/- 10 %
Current consumption max.	100 mA
Switching current max.	200 mA (20 °C)
Load RL	200 ... 500 Ω
Reverse polarity protection	✓
Ambient temperature	0 ... 60 °C
Medium temperature	5 ... 60 °C
Medium conductivity	\geq 20 μ S / cm (water \geq 30 μ S / cm)
Reaction time typ.	5 ... 8 s
Compressive strength	10 bar

Material sensor touched by medium	stainless steel AISI 316 Ti, FPM, PVDF
Material housing	PBT
Protection [EN 60529]	IP 65
Electrical connection	M12 connector
Accessories 1	Montageplatte
Accessories 2	cable type SLG, SLW
Accessories 3	Übergangsadapter G 1/4
Accessories 4	Übergangsadapter G 1/2
Note	* reference conditions according to EN 29104

Technical Image



Pin Map

