

## Flow rate sensors for fluid media with an end value of 10...100 l/min | SDN 552/4 GAA

- 7 segment flow rate indication
- 2 x analog output
- Working range 10...100 l/min
- Flow and temperature monitoring of water

**10...100 l/min - 2x 4...20 mA**

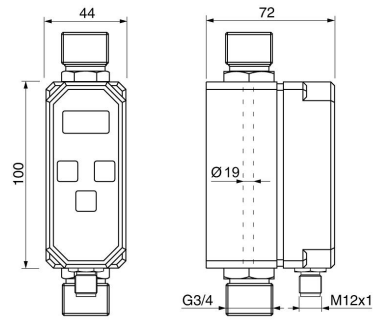


<b>TYPE</b>	SDN 552/4 GAA
<b>Product ID</b>	P11335
<b>Detection range water</b>	10 ... 100 l/min
<b>Temperature monitoring</b>	0 ... 90 °C
<b>Inner diameter d</b>	19 mm
<b>Output</b>	2 x analog output 4...20 mA
<b>Supply voltage</b>	24 VDC +/- 10 %
<b>Current consumption max.</b>	100 mA
<b>Load RL</b>	200 ... 500 Ω
<b>Reverse polarity protection</b>	✓
<b>Ambient temperature</b>	0 ... 60 °C
<b>Medium temperature</b>	0 ... 90 °C
<b>Reaction time typ.</b>	1 ... 8 s
<b>Programmable functions</b>	analog range, display flow/temperature, adjustable to reference, averaging, access code
<b>Compressive strength</b>	20 bar
<b>Material sensor touched by medium</b>	stainless steel AISI 316 Ti, FPM
<b>Material housing</b>	PBT
<b>Display</b>	7-segment / 3 digits
<b>Protection [EN 60529]</b>	IP 65
<b>Electrical connection</b>	M12 connector

Accessories

mounting plate, connecting cable SLG, SLW

Technical Image



Pin Map

