

Flow rate sensors for fluid media with an end value of 0...1 l/min | SDN 552/5 GAA

- 7 segment flow rate indication
- 2 x analog output
- Working range 50...1000 ml/min
- Flow and temperature monitoring of water

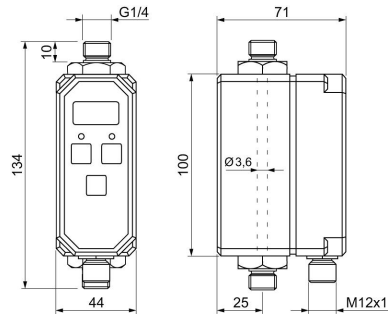
50...1000 ml/min - 2x 4...20 mA



TYPE	SDN 552/5 GAA
Product ID	P11350
Medium	Water
Detection range ml/min	50 ... 1000 ml/min
Working range	50 ... 1000 ml/min
Temperature monitoring	0 ... 60 °C
Inner diameter d	3.6 mm
Process connection	G1/4
Output	2 x analog output 4...20 mA
Supply voltage	24 VDC +/- 10 %
Current consumption max.	100 mA
Switching current max.	200 mA (20 °C)
Load RL	200 ... 500 Ω
Reverse polarity protection	✓
Ambient temperature	0 ... 60 °C
Medium temperature	0 ... 60 °C
Reaction time typ.	1 ... 8 s
Programmable functions	analog range, display flow/temperature, adjustable to reference, averaging, access code
Compressive strength	10 bar
Material sensor touched by medium	stainless steel AISI 316 Ti, FPM

Material housing	PBT
Display	7-segment / 3 digits
Protection [EN 60529]	IP 65
Electrical connection	M12 connector
Accessories	mounting plate, connecting cable SLG, SLW

Technical Image



Pin Map

