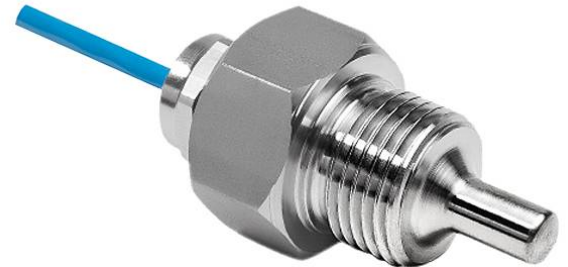


# Sensors for explosive areas without amplifier for liquid media | STS 102 KH

- **G1/2 screw-in sensor for flow monitoring in liquid media**
- ATEX approval for operation in Zone 0 and Zone 20
- ATEX approval for operation in Ex separation wall Zone 0/1
- Medium temperature up to 120 °C
- Corrosion-proof stainless steel housing AISI 316 Ti
- **Immersion depth 31 mm**
- 2 m fixed cable FEP
- Installation in T-piece or welding sleeve
- Needs ATEX certified amplifier with analogue or switching output
- Observe special conditions for safe use

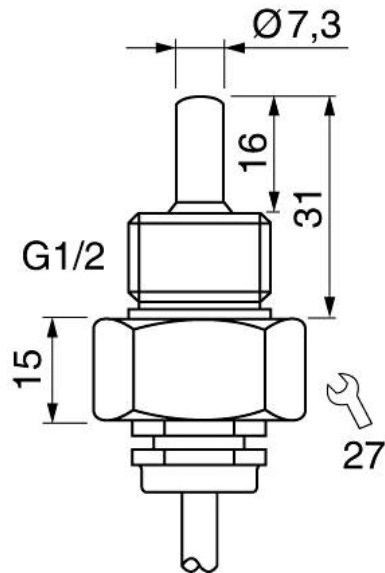


**G1/2 - sensor length 31 mm - Ex-Zone 0/20 - extended temperature range up to 120° - FEP-cable**

|   |  |
|---|--|
| <b>TYPE</b>                                       | STS 102 KH   |
| <b>Product ID</b>                                 | P11410   |
| <b>Medium</b>                                     | Water, oil   |
| <b>Detection range water</b>                      | 1 ... 100 cm/s   |
| <b>Detection range Oil</b>                        | 3 ... 200 cm/s   |
| <b>Process connection</b>                         | G 1/2  |
| <b>Sensor length L</b>                            | 31 mm  |
| <b>Output</b>                                     | output with separate Amplifier   |
| <b>Ex area of use</b>                             | installation in partition wall Zone 0/1, Zone 0, Zone 20   |
| <b>ATEX Certificate</b>                           | TÜV 98 ATEX 1298 X   |
| <b>Marking gas Ex for partition wall mounting</b> | Ex II 1/2 G Ex ia IIC T6...T3 Ga/Gb  |
| <b>ATEX marking gas</b>                           | Ex II 1 G Ex ia IIC T6...T3 Ga   |
| <b>ATEX Marking dust</b>                          | Ex II 1 D Ex ia IIIC T125°C Da   |
| <b>Maximum values</b>                             | U <sub>i</sub> = 13.65 V / I <sub>i</sub> = 200 mA / P <sub>i</sub> = 0.69 W / C <sub>i</sub> = 0.45 nF / L <sub>i</sub> = 1.80 μH |
| <b>Temperature range in T6</b>                    | 10 ... 40 °C   |
| <b>Temperature range in T5</b>                    | 10 ... 55 °C   |

|   |  |
|---|--|
| <b>Temperature range in T4</b>            | 10 ... 90 °C   |
| <b>Temperature range in T3</b>            | 10 ... 120 °C  |
| <b>Temperature range dust-Ex</b>          | -20 ... 85 °C  |
| <b>Start-up time typ.</b>                 | 8 s (2 ... 18 s)   |
| <b>Reaction time typ.</b>                 | 2 s (1 ... 13 s)   |
| <b>Compressive strength</b>               | 60 bar   |
| <b>Material sensor touched by medium</b>  | stainless steel AISI 316 Ti  |
| <b>Material housing</b>                   | stainless steel AISI 316 Ti, brass                                   |
| <b>Protection [EN 60529]</b>              | IP 67  |
| <b>Electrical connection</b>              | 2 m FEP-cable 4x0.25 mm <sup>2</sup>                                 |
| <b>Accessories (in scope of delivery)</b> | 2 x gasket G1/2 AFM 34   |
| <b>Associated amplifiers</b>              | SZAb 400 EX-GR, SZAb 400 EX-WR115, SZAb 400 EX-WR230, SZAb 400 EX-GA |
| <b>Note</b>                               | probe with longer cable available on request                         |

Technical Image



Pin Map

